

Cantilever Installation Method Statement.

Contents

	Page
1) Anchor Cradle Assembly.....	2
2) Groundwork.....	2
3) Cantilever Installation.....	2 & 3
4) Cantilever Anchor Cradle Assembly Drawing.....	4
5) Cantilever Baseplate & Cradle Drawing.....	5
6) Cantilever Frame/Upright Connection Detail.....	6

1) Anchor Cradle Assembly

The anchor cradle assembly comprises of two steel anchor plates, four equal lengths of threaded bar and sixteen appropriately sized nuts and washers.

The cradle requires construction and is to be assembled in accordance with drawing reference 2357.

2) Groundwork

a). Excavate hole either mechanically or by hand to suitable dimensions.

b). The anchor cradle is to be supported with the use of wooden battens placed under the top anchor plate. Care should be taken at this stage to ensure the anchor cradle is level and upright.

c). Pour the concrete until required level is achieved. It is important that the concrete is vibrated, or tamped to ensure that all air pockets and voids are removed. Failure to do so may affect the mechanical strength of the foundation.

d). It is recommended that the concrete is allowed to fully cure before the installation of the cantilever assembly.

3) Cantilever Installation

a). Prior to installing the cantilever upright, remove the top anchor plate and associated nuts and washers; the anchor plate is no longer required and can be discarded. Ensure the exposed threaded bars are clean and free of any concrete.

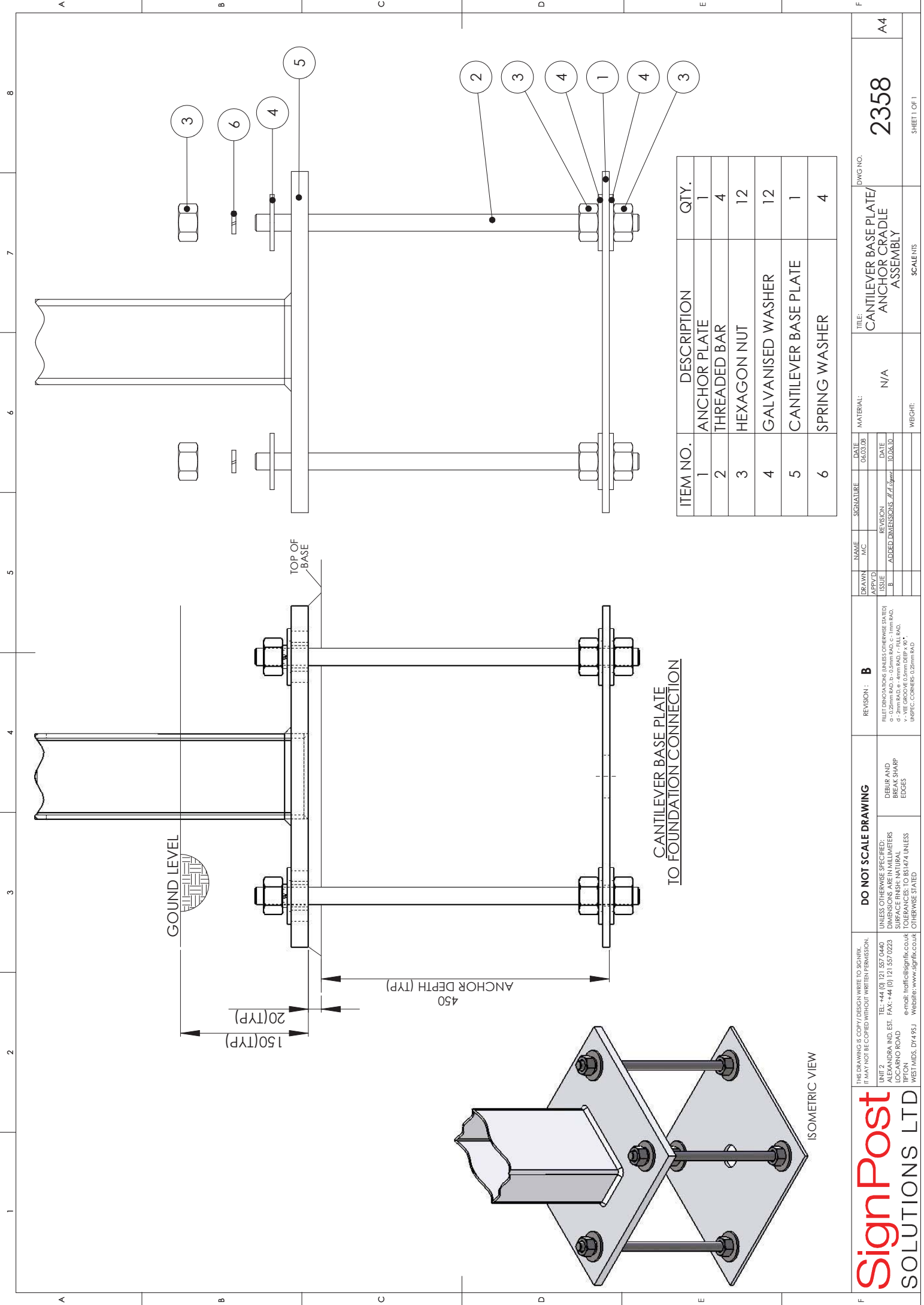
b). A 15mm max thick layer of non-shrink mortar, strength 30N/mm², is to be used to aid the join of the cantilever upright to the base. The base plate is

manufactured complete with elongated holes to ease fitting and assist alignment.

Nuts and washers are to be fitted to secure the base plate in accordance with drawing reference 2358.

c). Using suitable lifting equipment, raise the cantilever frame to align the holes on the flange plates with the corresponding holes on the cantilever upright. Using the spreader plates, nuts, bolts and washers supplied connect the frame to the upright as detailed in drawing reference 2359.

Issue 4
06.07.18

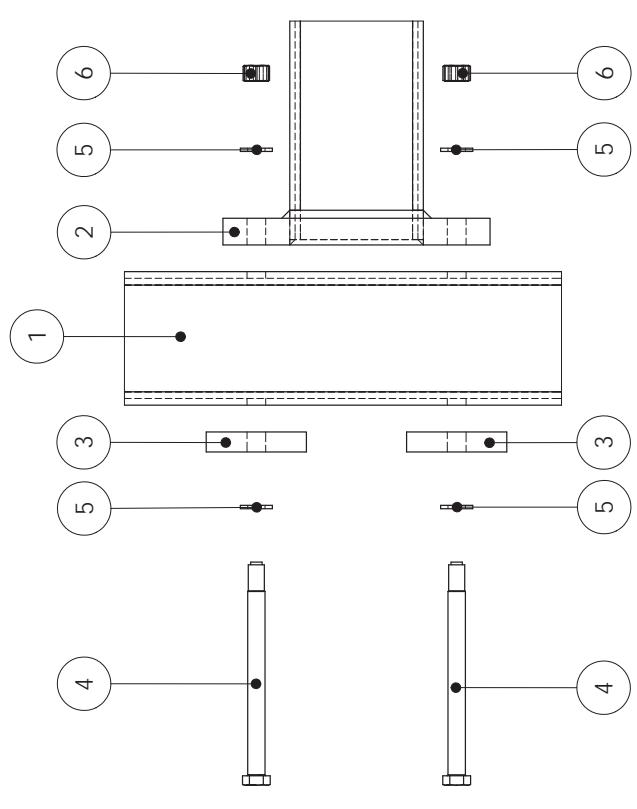
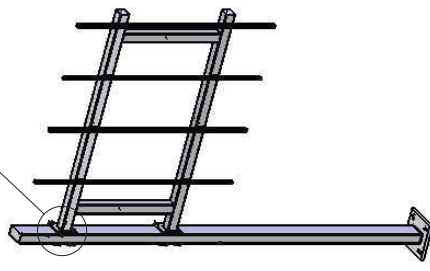
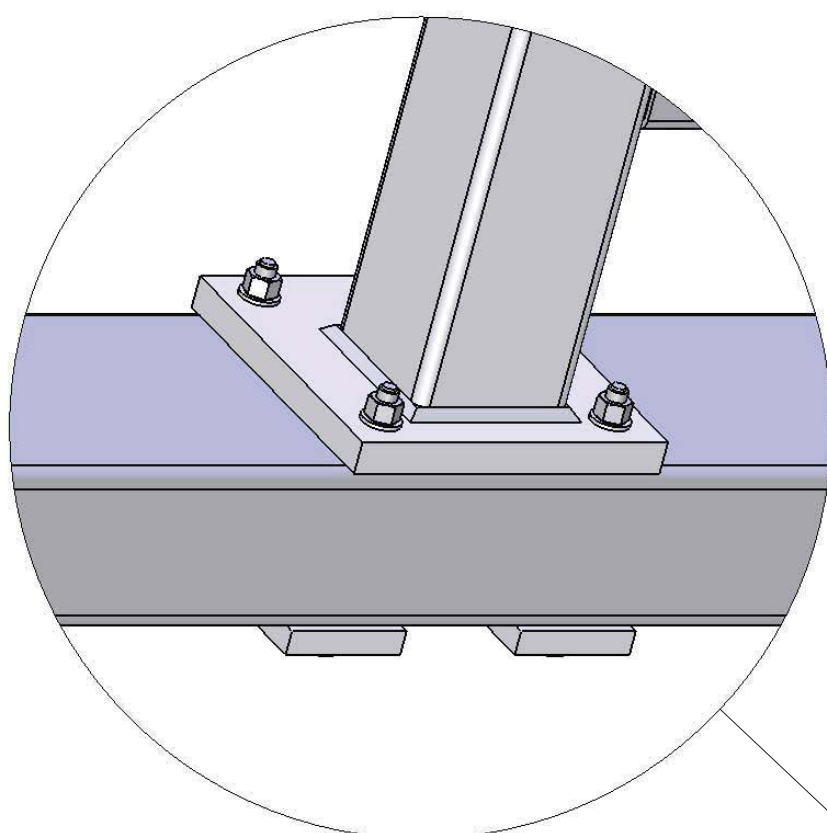


ITEM NO.	DESCRIPTION	QTY.
1	ANCHOR PLATE	1
2	THREADED BAR	4
3	HEXAGON NUT	12
4	GALVANISED WASHER	12
5	CANTILEVER BASE PLATE	1
6	SPRING WASHER	4

**CANTILEVER BASE PLATE
TO FOUNDATION CONNECTION**

ISOMETRIC VIEW

THIS DRAWING IS COPY/DESIGN WRITE TO SCHRIK. IT MAY NOT BE COPIED WITHOUT WRITTEN PERMISSION.		UNIT'S ALEXANDRIA IND. EST.	TEL: +44 (0) 121 657 0416 FAX: +44 (0) 121 557 0223	UNLESS OTHERWISE SPECIFIED: DIMENSIONS ARE IN MILLIMETERS SURFACE FINISH: NATURAL TOLERANCES: TO BS1474 UNLESS OTHERWISE STATED	DO NOT SCALE DRAWING DEBUR AND BREAK SHARP EDGES	REVISION : B FILET DIMENSIONS (UNLESS OTHERWISE STATED) R1-2mm RAO, R2-4mm RAO, R3-FULL RAO, V-VEE GROOVE 0.5mm DEEP x 90°, UNSPEC. CORNERS 0.2mm RAO	NAME MC	SIGNATURE	DATE 06/03/08	MATERIAL:	N/A	TITLE: CANTILEVER BASE PLATE/ ANCHOR CRADLE ASSEMBLY	DWG NO. 2358	A4
													SCALE: NIS SHEET 1 OF 1	



ITEM NO.	DESCRIPTION	QTY.
1	Cantilever Upright	1
2	Cantilever Frame	1
3	Spreader Plate	2
4	Galvanised Hexagon Bolt	4
5	Galvanised Hexagon Washer	8
6	Galvanised Hexagon Nut	4

UNLESS OTHERWISE SPECIFIED: DIMENSIONS ARE IN MILLIMETERS DIMENSIONS IN PARENTHESES ARE TO BE USED FOR REFERENCE UNLESS OTHERWISE STATED		THIS DRAWING IS COPY/DESIGN WRITE TO SIGNER. IT MAY NOT BE COPIED, REPRODUCED, OR REPRODUCED WITHOUT WRITTEN PERMISSION. TOLERANCES: ±0.25mm RAD. ±0.5mm RAD. ±1mm RAD. ±0.25mm RAD. ±0.5mm RAD. ±1mm RAD. ±0.25mm RAD. ±0.5mm RAD. ±1mm RAD. ±0.25mm RAD. ±0.5mm RAD. ±1mm RAD.		DEBUR AND BREAK SHARP EDGES	
DRAWN	MC	DATE	13/03/08	ISSUE	A
CHK'D					B
APP'VD					C
MFG					D
Q.A.					
UNIT 5 CLARENDON DRIVE THE PARKWAY WEST MIDLANDS, DY4 0DA		TEL: +44 (0) 121 506 4770 FAX: +44 (0) 121 506 4771		MATERIAL:	
www.signpost.co.uk		www.signpost.co.uk		WEIGHT:	
SIGNPOST SOLUTIONS LTD		SIGNPOST SOLUTIONS LTD		SCALE: NTS	
CANTILEVER FRAME/UPRIGHT CONNECTION DETAIL		2359		A3	
DO NOT SCALE DRAWING		REVISION		SHEET 1 OF 1	