

SignPost

SOLUTIONS LTD

15m KAPU Passively Safe Lighting Column (100,HE,1)

NAL SOCKET VERSION

SignPost Solutions Ltd
Unit 5, Clarendon Drive, The Parkway, Tipton, DY4 0QA
Tel: 0121 506 4770 Fax: 0121 506 4771
Email: traffic@signfix.co.uk
www.signfix.co.uk

SignPost Solutions operate a policy of continuous development & reserve the right to adjust this KAPU information pack without prior notice

Issue 4 APRIL 2014

In compliance with the Directive 89/106/EEC of the Council of European Communities of 21 December 1988 on the approximation of laws, regulations and administrative provisions of the Member States relating to the construction products (Construction Products Directive - CPD), amended by the Directive 93/68/EEC of the Council of European Communities of 22 July 1993, it has been stated that the construction product

Lighting columns KAPU
Performance under vehicle impact (passive safety)

High energy absorbing KAPU-HE pole, Annex 1
Installation in pre cast concrete element or cast in-situ foundation or with flange plate.

Non-energy absorbing pole KAPU-NE pole, height 2 – 15 m, class 100, NE, 2.
Installation in pre cast concrete element or cast in-situ foundation.

placed on the market by

Sähkö-Jokinen Oy
Rauhalammintie 13
FI-29600 NOORMARKKU

and produced in the factory Noormarkku, Finland

is submitted by the manufacturer to a factory production control and to the further testing of samples taken at the factory in accordance with a prescribed test plan and that the notified body Inspecta Sertifiointi Oy has performed the initial type-testing for the relevant characteristics of the product, the initial inspection of the factory and of the factory production control and performs the continuous surveillance, assessment and approval of the factory production control.

This certificate attests that all provisions concerning the attestation of conformity and the performances described in Annex ZA of the standard

EN 40-5:2002

were applied and that the product fulfils all the prescribed requirements.

This certificate was first issued on **2006-11-03** and remains valid as long as the conditions laid down in the harmonised technical specification in reference or the manufacturing conditions in the factory or the FPC itself are not modified significantly. The validity of the certificate can be checked on the Internet at www.inspecta.fi.

Decision on certification 2011-01-19

Helsinki 2011-01-19



Anne Qvintus, Managing Director



Inspecta Sertifiointi Oy
P.O. Box 113, Porkkalankatu 13 G
FI-00181 Helsinki, Finland
Tel.+358 10 521 600
Fax +358 10 521 6211

SignPost Solutions Ltd

KAPU 15m Passively Safe Lighting Column Datasheet

Ref: EN 40-5:2002, EN 40-3-1:2000, EN 40-3-3:2004, EN 12767:2007 (Performance Class 100,HE,1)

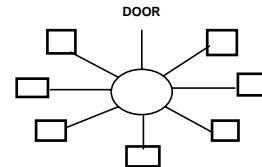
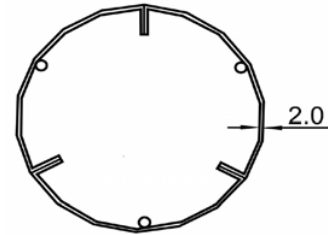
Manufacturer:
Sahko-Jokinen Oy
Rauhalammintie 13, FI-29600
NOORMARKKU FINNLAND

Supplier:
SignPost Solutions Ltd
Unit 5 Clarendon Drive, The Parkway
Tipton, DY4 0QA
Tel: 0121 506 4770
Fax: 0121 506 4771
email: traffic@signfix.co.uk

GENERAL

DIAMETER OF PLANT PART OF COLUMN 218mm
NOMINAL HEIGHT 15 m
DEFLECTION MAX 10%
COLUMN MATERIAL STEEL DOCOL EN ISO 1461
MATERIAL FINISH GALVANIZED TO EN ISO 1461
MATERIAL DESIGN STRENGTH 280 N/mm²
DOOR OPENING SIZE 400*95 mm
TRAFFIC SIGN ALLOWED FOR IN DESIGN 0.3m squared/offset 0.3/shape square
COLUMN WEIGHT 170 kg

**CROSS SECTION
BASE COMPARTMENT**



FOUNDATION DETAIL

CUT TO SUITE NAL SOCKET

LANTERN AND BRACKET DATA

POST TOP

POST TOP DIAMETER 76
LANTERN MAXIMUM WEIGHT 20 kg
BRACKET WEIGHT 43 KG

SINGLE ARM BRACKET

DIAMETER AT LANTERN FIXING POINT 60 mm
LANTERN MAXIMUM WEIGHT 20 kg

BRACKET PROJECTION (M)	WEIGHT
0.2	44 kg
1.0	47 kg
1.5	51 kg

DOUBLE ARM BRACKET

DIAMETER AT LANTERN FIXING POINT 60 mm
LANTERN MAXIMUM WEIGHT 20 kg

BRACKET PROJECTION (m)	WEIGHT
1.0	59 kg
1.5	67 kg

ALL BRACKETS

MATERIAL GRADE S355
DESIGN STRENGTH 355 N/mm²
GALVANIZED TO EN ISO 1461

PLEASE NOTE

LANTERN WEIGHTS AND
BRACKET ARM
OUTREACH MUST BE
CHECKED FOR LOCATION
AND TERRAIN

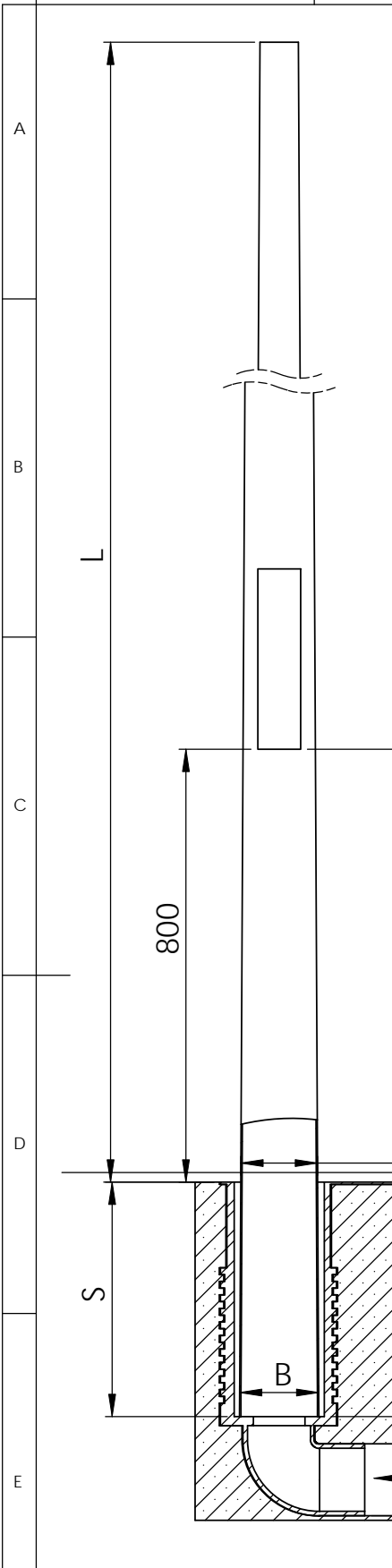
1

2

3

4

KAPU TYPE	REF	8L	10L	12L	15L
VISIBLE COLUMN LENGTH (L)	L	6000mm	8000mm	10000mm	10000mm
NAL SOCKET TYPE		RS177	RS200	RS226	RS245
SOCKET LENGTH	F	900mm	900mm	900mm	900mm
LENGTH OF COLUMN INSERTION	S	680mm	680mm	680mm	680mm
CUT POSITION FROM BOTTOM OF DOOR	C	1480mm	1480mm	1480mm	1480mm
Column Dia at Gound Level	G	151mm	174mm	196mm	210mm
Column Dia at Base	B	158mm	181mm	203mm	217mm



UNLESS OTHERWISE SPECIFIED:
DIMENSIONS ARE IN MILLIMETERS
SURFACE FINISH:
TOLERANCES:
LINEAR:
ANGULAR:

FINISH:

DEBURR AND
BREAK SHARP
EDGES

DO NOT SCALE DRAWING REVISION First Issue

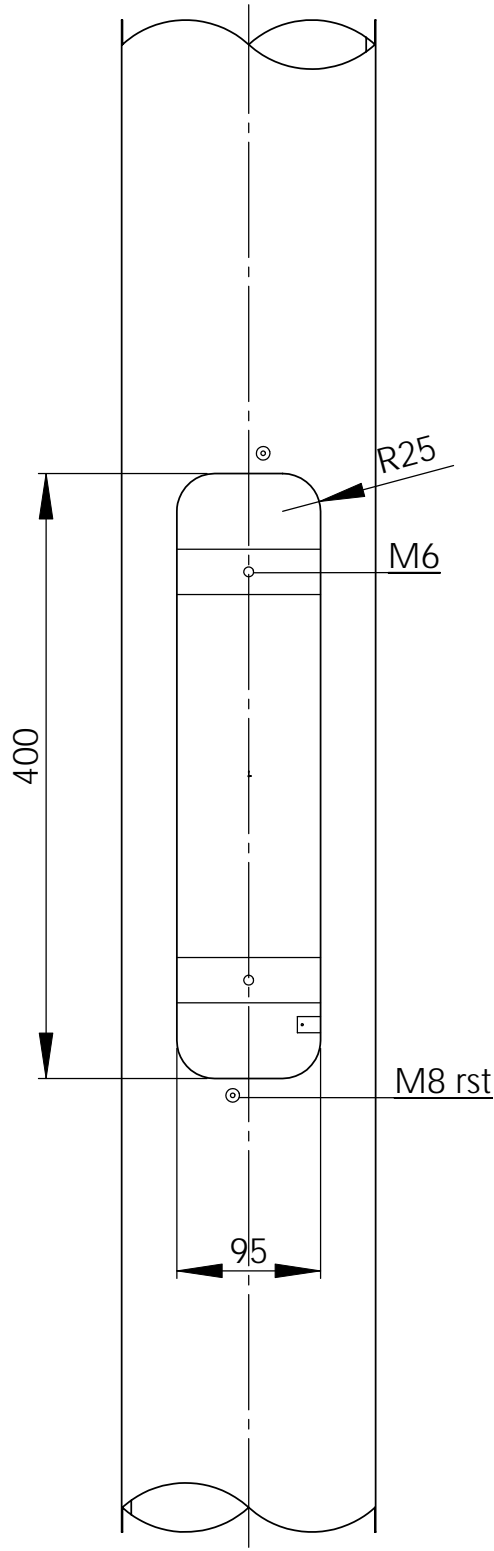
Signpost Solutions Ltd

	NAME	SIGNATURE	DATE		
DRAWN	Rob Kingscott		16/05/2014		
CHK'D					
APPV'D	M Grice		16/05/2014		
MFG	D Wale		16/05/2014		
Q.A	P.Allen		16/05/2014	MATERIAL:	
				WEIGHT:	

TITLE:
KAPU HE NAL Socket Details

DWG NO. **12001** A4

SHEET 1 OF 1



THIS DRAWING IS COPY/
DESIGN WRITE TO SIGNFIX.
IT MAY NOT BE COPIED
WITHOUT WRITTEN PERMISSION.

FILLET DENOTATIONS (UNLESS OTHERWISE STATED)
a - 0.25mm RAD, b - 0.5mm RAD, c - 1mm RAD,
d - 2mm RAD, e - 4mm RAD, r - FULL RAD,
v - VEE GROOVE 0.5mm DEEP x 90°,
UNSPEC. CORNERS- 0.25mm RAD

DEBUR AND
BREAK SHARP
EDGES

DO NOT SCALE DRAWING

REVISION

SignPost Solutions Ltd

	NAME	SIGNATURE	DATE	ISSUE	REVISION	DATE
DRAWN	MC		25/04/2008	A		
CHK'D				B		
APPV'D				C		
MFG				D		

TITLE: **KAPU DOOR
APERTURE DIMENSIONS**

UNIT 5
CLARENDON DRIVE
THE PARKWAY
TIPTON
WEST MIDS, DY4 0QA

TEL: +44 (0) 121 506 4770
FAX: +44 (0) 121 506 4771

e-mail: traffic@signfix.co.uk
Website: www.signfix.co.uk

MATERIAL:

WEIGHT:

DWG NO. **2365**

SCALE: NTS

SHEET 1 OF 1

A4

1

2

3

4

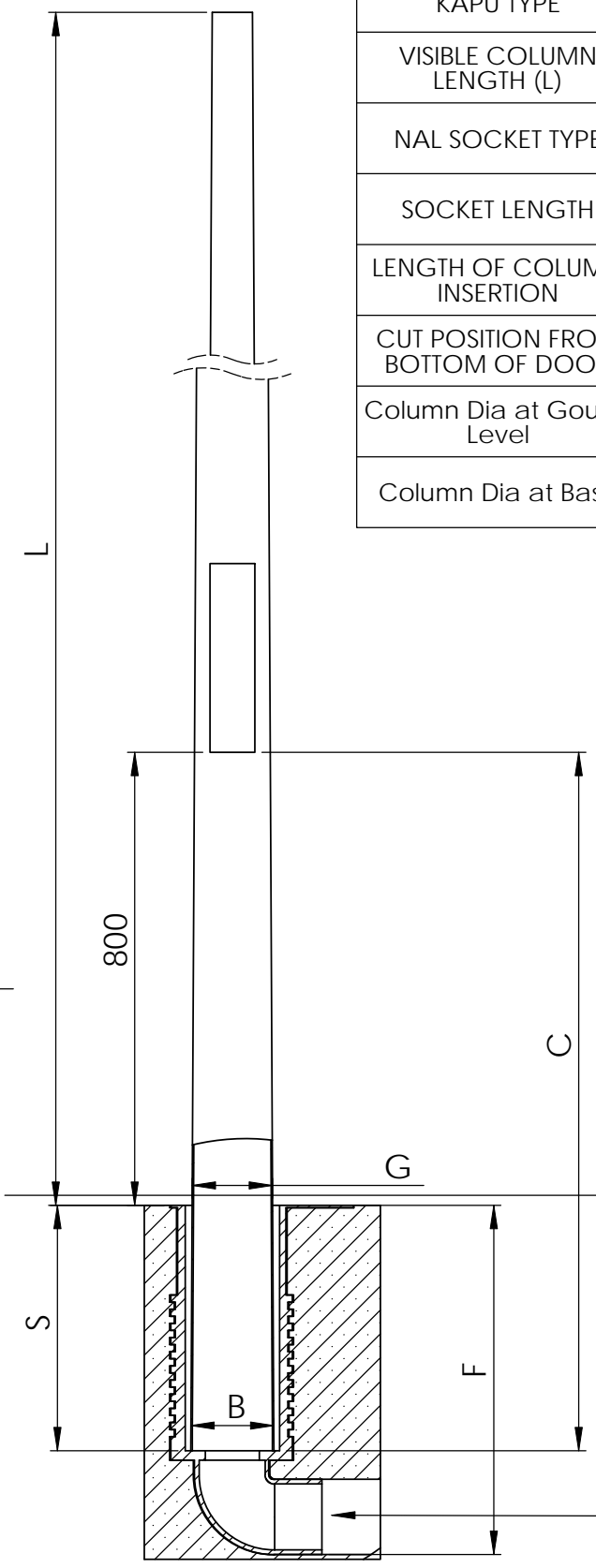
A

B

C

D

E



KAPU TYPE	REF	8L	10L	12L	15L
VISIBLE COLUMN LENGTH (L)	L	6000mm	8000mm	10000mm	10000mm
NAL SOCKET TYPE		RS177	RS200	RS226	RS245
SOCKET LENGTH	F	900mm	900mm	900mm	900mm
LENGTH OF COLUMN INSERTION	S	680mm	680mm	680mm	680mm
CUT POSITION FROM BOTTOM OF DOOR	C	1480mm	1480mm	1480mm	1480mm
Column Dia at Gound Level	G	151mm	174mm	196mm	210mm
Column Dia at Base	B	158mm	181mm	203mm	217mm

800

C

G

Ground Level

S

B

F

CABLE ENTRY

UNLESS OTHERWISE SPECIFIED:
DIMENSIONS ARE IN MILLIMETERS
SURFACE FINISH:
TOLERANCES:
LINEAR:
ANGULAR:

FINISH:

DEBURR AND
BREAK SHARP
EDGES

DO NOT SCALE DRAWING

REVISION

First Issue

Signpost Solutions Ltd

TITLE:

KAPU HE NAL Socket Details

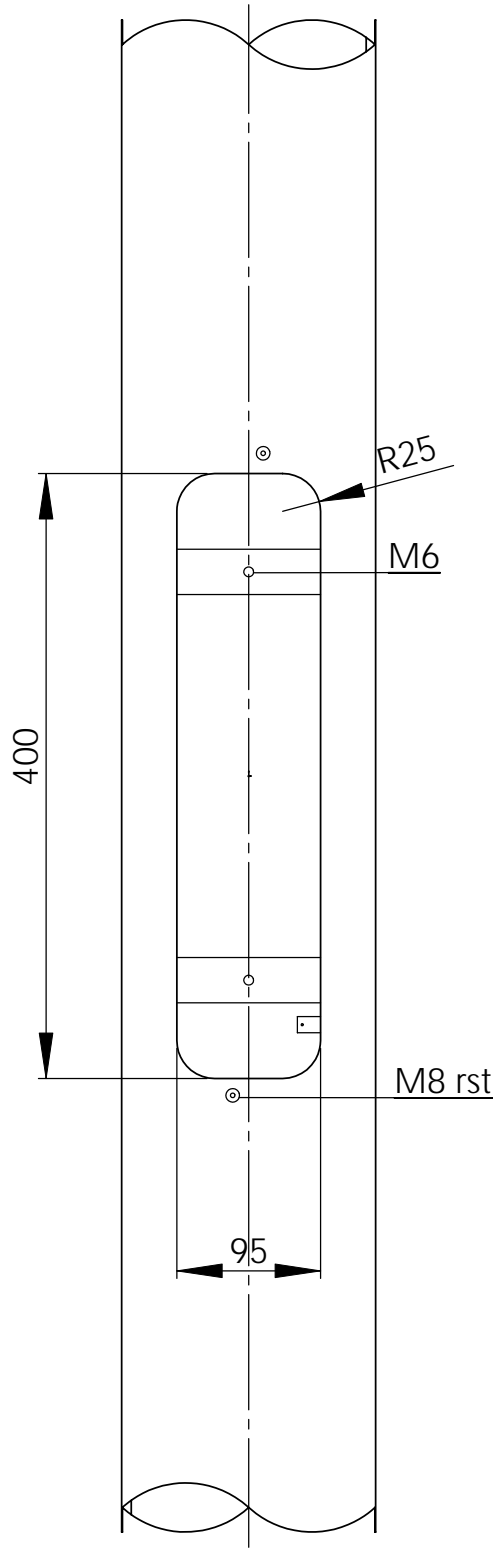
	NAME	SIGNATURE	DATE		
DRAWN	Rob Kingscott		16/05/2014		
CHK'D					
APPV'D	M Grice		16/05/2014		
MFG	D Wale		16/05/2014		
Q.A	P.Allen		16/05/2014	MATERIAL:	
				WEIGHT:	

DWG NO.

12001

A4

SHEET 1 OF 1



THIS DRAWING IS COPY/
DESIGN WRITE TO SIGNFIX.
IT MAY NOT BE COPIED
WITHOUT WRITTEN PERMISSION.

FILLET DENOTATIONS (UNLESS OTHERWISE STATED)
a - 0.25mm RAD, b - 0.5mm RAD, c - 1mm RAD,
d - 2mm RAD, e - 4mm RAD, r - FULL RAD,
v - VEE GROOVE 0.5mm DEEP x 90°,
UNSPEC. CORNERS- 0.25mm RAD

DEBUR AND
BREAK SHARP
EDGES

DO NOT SCALE DRAWING

REVISION

SignPost Solutions Ltd

	NAME	SIGNATURE	DATE	ISSUE	REVISION	DATE
DRAWN	MC		25/04/2008	A		
CHK'D				B		
APPV'D				C		
MFG				D		

TITLE: **KAPU DOOR
APERTURE DIMENSIONS**

UNIT 5
CLARENDON DRIVE
THE PARKWAY
TIPTON
WEST MIDS, DY4 0QA

TEL: +44 (0) 121 506 4770
FAX: +44 (0) 121 506 4771

e-mail: traffic@signfix.co.uk
Website: www.signfix.co.uk

MATERIAL:

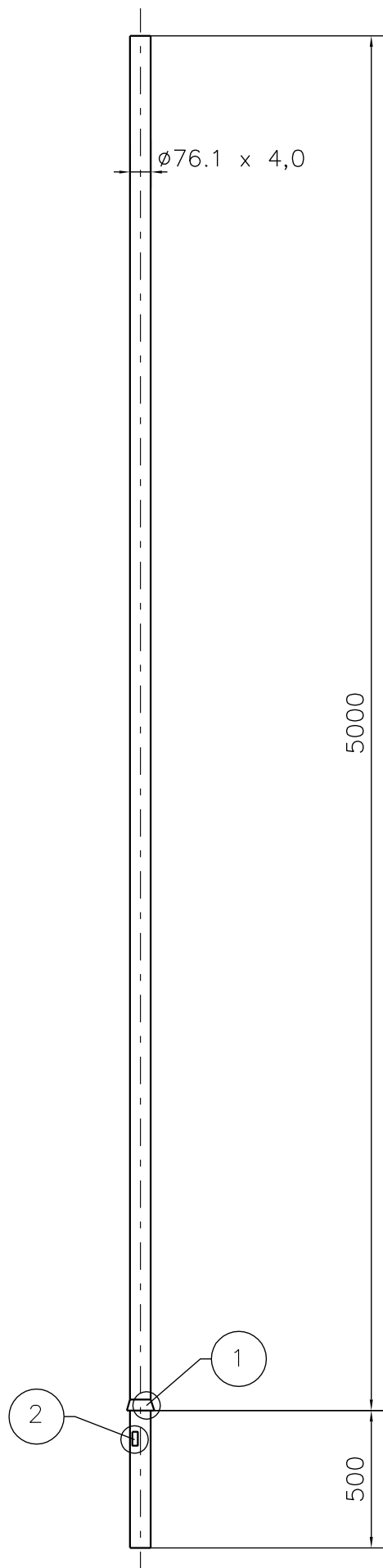
WEIGHT:

DWG NO. **2365**

SCALE: NTS

SHEET 1 OF 1

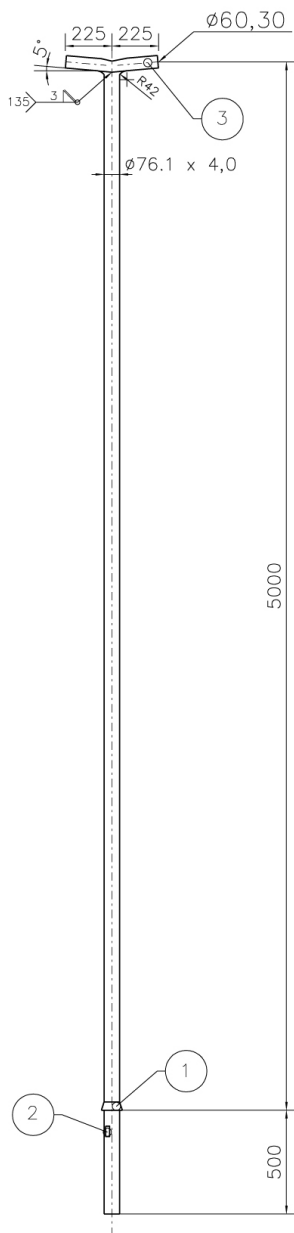
A4



1	vh76	Water shield			Fe 52	1
2	vl60-76	Position slot			S235JR	2
Osa	Piirustusnumero Tavaratunnus	Osan tai kokoonpanoryhmän nimitys	Standardi tai luettelo	Muoto, malli,määrä	Laatu	Kpl
Yleistoleranssit		Mittakaava	Tuote Straight column S76	Liittyy SJ1-10m100 for KAPU 15 m	Copyright This Drawing is the property of Sähkö-Jokinen Oy Company and must not be used or reproduced without Sähkö-Jokinen's written consent Copyright (c) Design right (dr) 1991	
Piirt.	V-V. Torkkolo (03.06.2008)			Sähkö-Jokinen Oy Noormarkku, Finland	Ent.	Uusi
Suunn.	S.Jokinen (05.04.2005)				SJ2-15S76	
Tark.	Massa					
Hyv.	kg					

SignPost

SOLUTIONS LTD
Unit 5, Clarendon Drive
The Parkway
Tipton
DY4 0QA

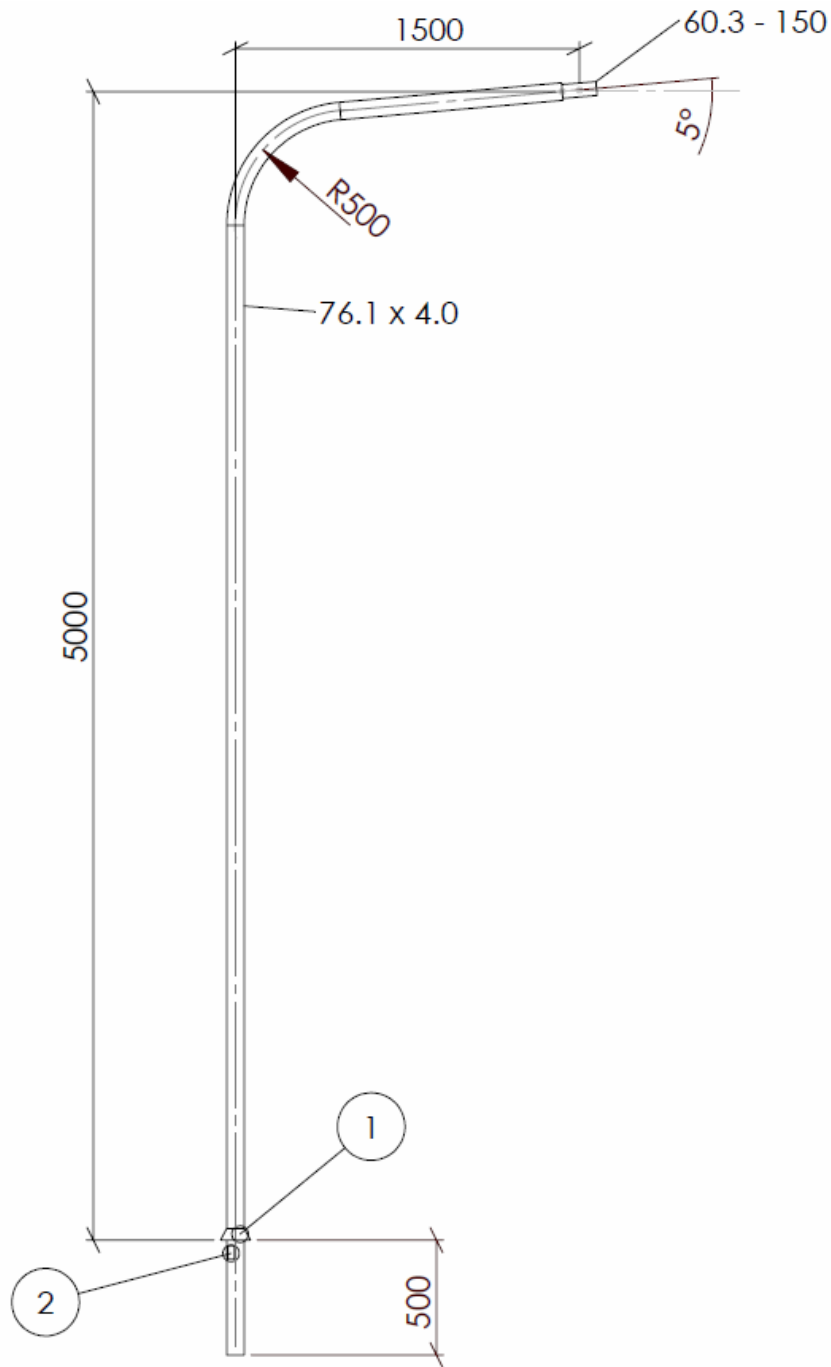


1	vh76	Water shield			Fe 52	1
2	vl60-76	Position slot			S235JR	2
3	s-t60-76	Fit			S355J2H	1
Osa	Piirustusnumero Tavaratunnus	Osan tai kokoonpanoryhmän nimitys	Standardi tai luettelo	Muoto, malli,määrä	Laatu	Kpl
Yleistoleranssit		Mittakaava	Tuote Double bracket T7602	Liittyy SJ1-10m100 for KAPU 15 m	Copyright This Drawing is the property of Sähkö-Jokinen Oy Company and must not be used or reproduced without Sähkö-Jokinen's written consent Copyright (c) Design right (dr) 1991	
Piirt.	V.-V. Tarkkela (18.06.2007)		Sähkö-Jokinen Oy Noormarkku, Finland		Ent.	Uusi
Suunn.	S.Jokinen (05.04.2005)				SJ2-15T7602	
Tark.		Massa				
Hyv.		kg				

SignPost

SOLUTIONS LTD

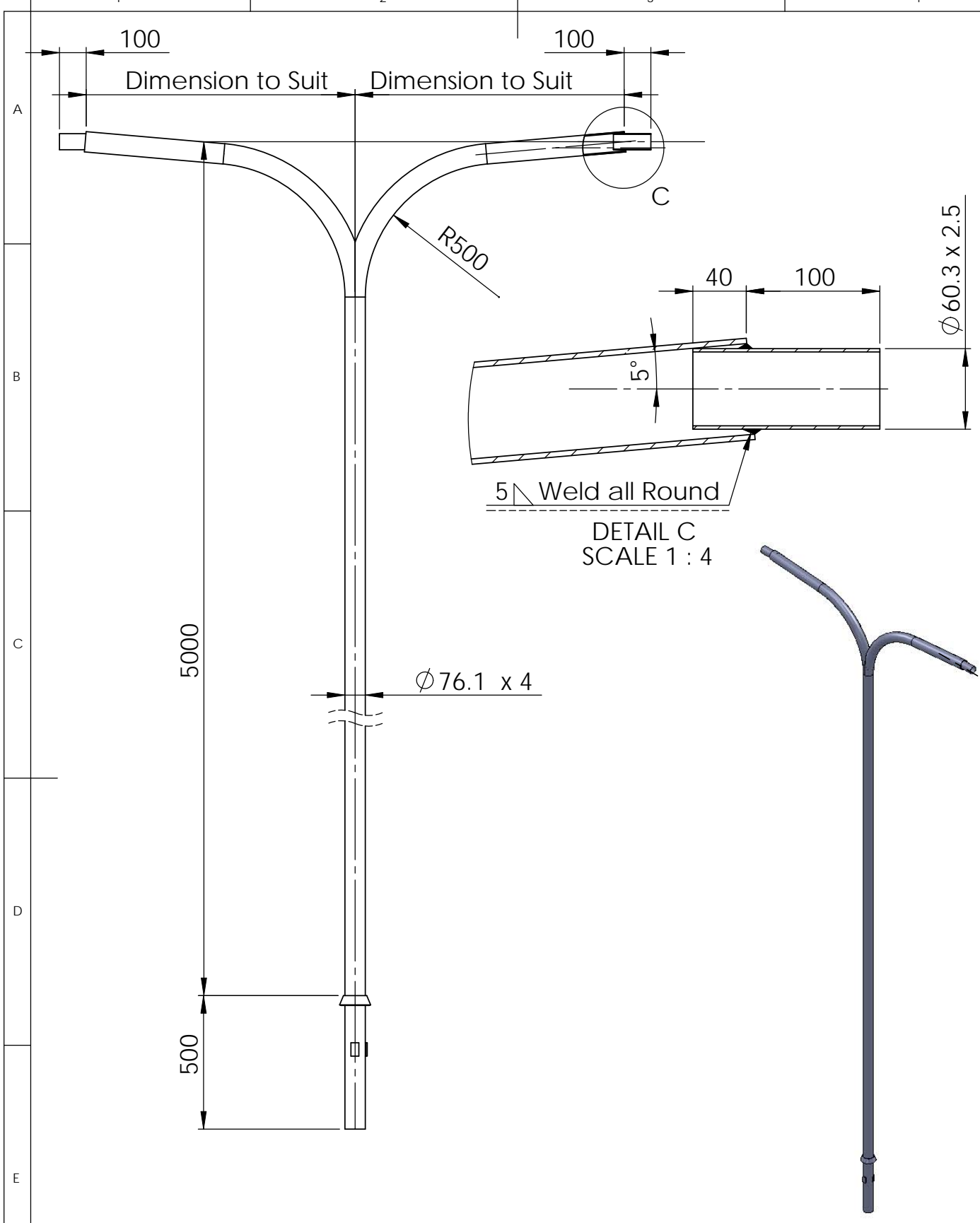
UNIT 5, CLARENDON DRIVE
THE PARKWAY
TIPTON
DY4 0QA
TEL 0121-506-4770
FAX 0121-506-4771
E.MAIL traffic@signfix.co.uk



1	vh76	Water shield			Fe 52	1	
2	vl60-76	Position slot			S235JR	2	
Osa	Piirustusnumero Tavaratunnus	Osan tai kokoonpanoryhmän nimitys	Standardi tai luettelo	Muoto, malli, määrä	Laatu	Kpl	
Yleisluokitus		Mittakaava	Tuote	Liftin	Copyright This Drawing is the property of Sähkö-Jokinen Oy Company and must not be used or reproduced without Sähkö-Jokinen's written consent Copyright (c) Design right (d.r) 1981		
			P7615	for KAPU 15 m			
Piirt.	S.-E. Turtola (03.08.2000)		Sähkö-Jokinen Oy Naarmarkku, Finland		Ent.	Uusi	
Suunn.	S. Miettinen (06.01.2000)						
Tark.		Massa					
Hyv.		kg					

SignPost

SOLUTIONS LTD
 Unit 5, Clarendon Drive
 The Parkway
 Tipton
 DY4 0QA



UNLESS OTHERWISE SPECIFIED:
 DIMENSIONS ARE IN MILLIMETERS
 SURFACE FINISH:
 TOLERANCES:
 LINEAR:
 ANGULAR:

FINISH:

DEBURR AND
 BREAK SHARP
 EDGES

DO NOT SCALE DRAWING

REVISION

First Issue

Signpost Solutions Ltd

	NAME	SIGNATURE	DATE		
DRAWN	Rob Kingscott		08/01/2014		
CHK'D					
APPV'D	M Grice				
MFG	D Wale				
Q.A	P Allen				
				MATERIAL:	
				WEIGHT:	

TITLE:

**15m Double Outreach Bracket
 0 Degree Tilt Reduced End**

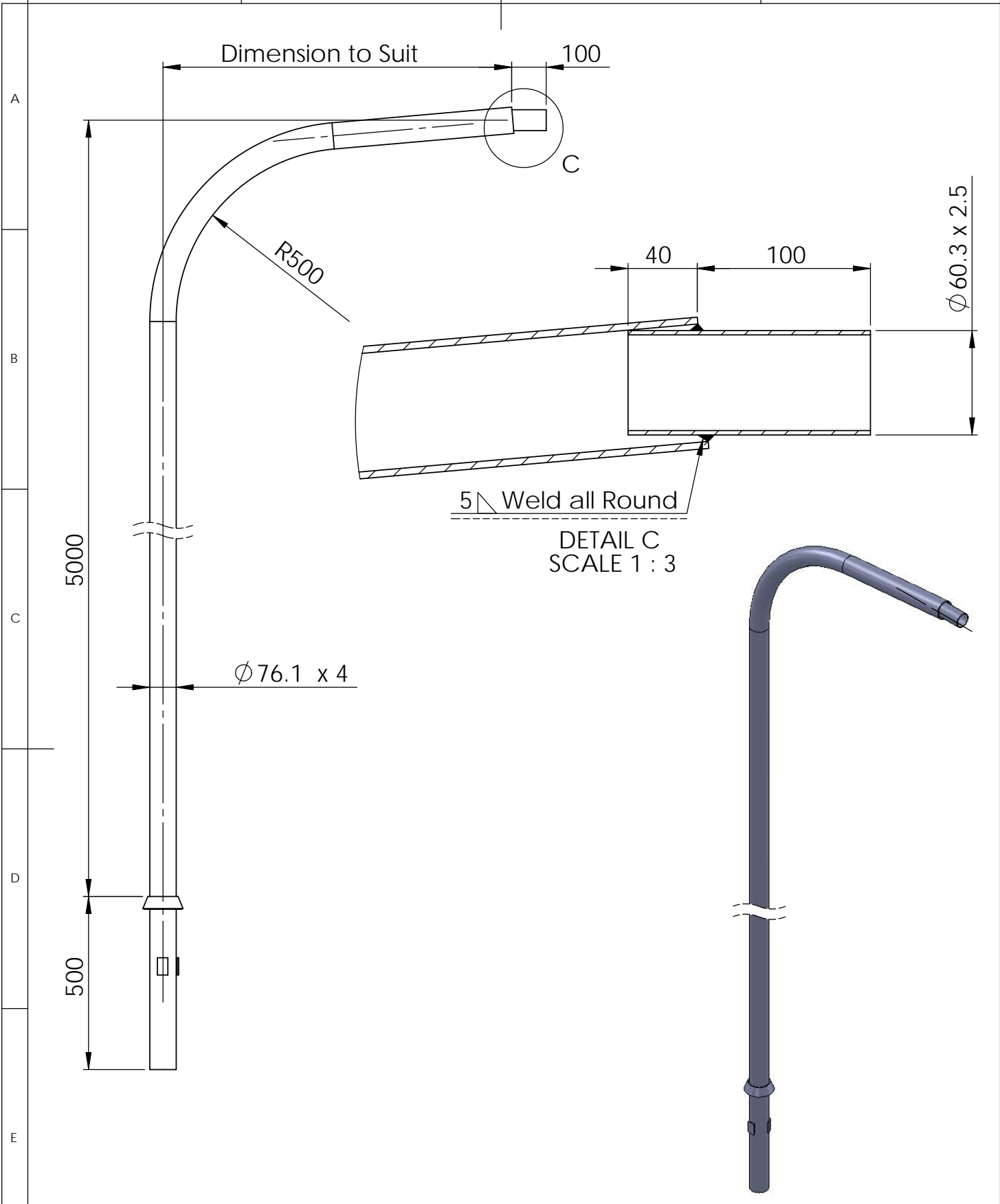
DWG NO.

12115

A4

SCALE:1:20

SHEET 1 OF 1



UNLESS OTHERWISE SPECIFIED:
 DIMENSIONS ARE IN MILLIMETERS
 SURFACE FINISH:
 TOLERANCES:
 LINEAR:
 ANGULAR:

FINISH:

 DEBURR AND
 BREAK SHARP
 EDGES

DO NOT SCALE DRAWING REVISION First Issue

Signpost Solutions Ltd

	NAME	SIGNATURE	DATE		
DRAWN	Rob Kingscott		08/01/2014		
CHK'D					
APPV'D	M Grice				
MFG	D Wale			Welds to BS EN 1011	
Q.A	P Allen			MATERIAL:	
				WEIGHT:	

TITLE: 15m Outreach Bracket 0 Degree Tilt Reduced End	
DWG NO. 12111	A4
SCALE: 1:20	SHEET 1 OF 1