

1

2

3

4

REVISION HISTORY

ZONE	REV.	DESCRIPTION	DATE	APPROVED
------	------	-------------	------	----------

A

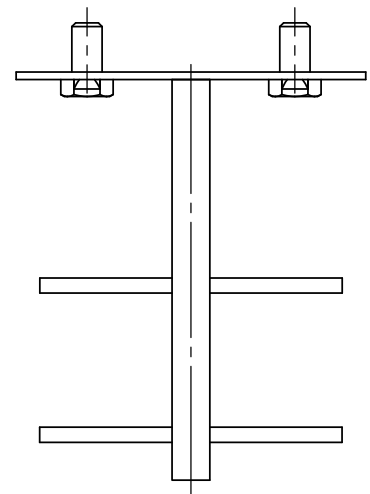
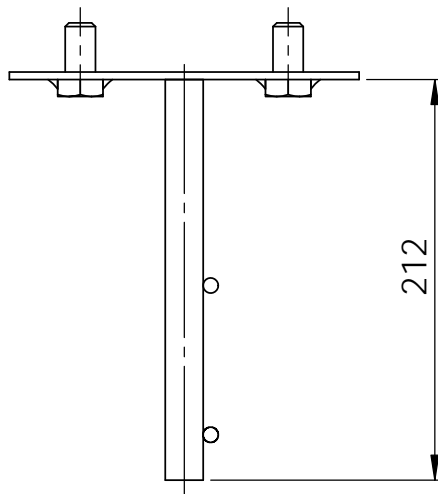
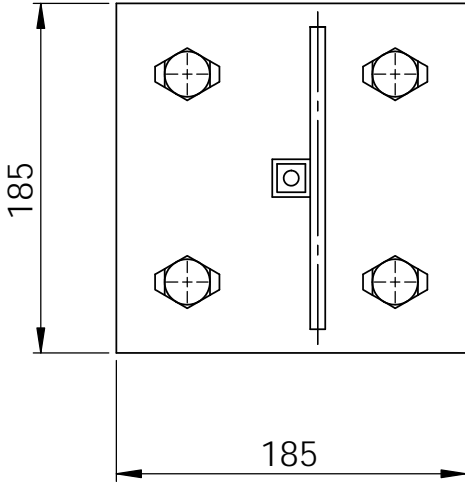
B

C

D

E

F



DO NOT SCALE DRAWING

REVISION First Issue

SignPost Solutions Ltd

TITLE:

SPS360 Anchor Cradle Customer Drawing

DWG NO.

10202

A4

SCALE:1:5

SHEET 1 OF 1

UNCONTROLLED COPY