

UNCONTROLLED COPY

A
B
C
D
E
F

1

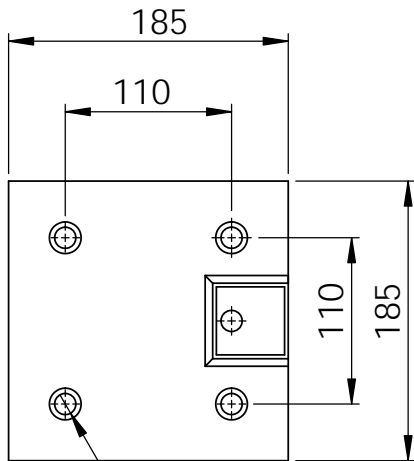
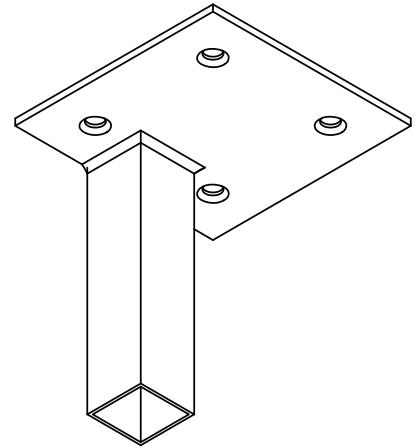
2

3

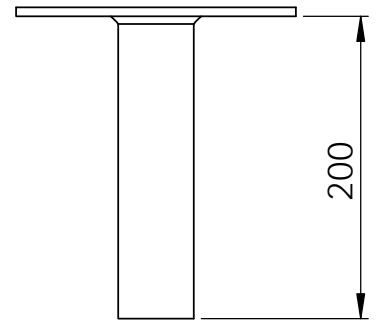
4

REVISION HISTORY

ZONE	REV.	DESCRIPTION	DATE	APPROVED
------	------	-------------	------	----------



4 Holes \varnothing 14 CSK 3.5mm



Material Tolerance +/- 10%	MIN	MAX
A	50x50x2.6mm	2.34 2.86

IF OUT OF TOLERANCE REPORT TO QUALITY MANAGER

DO NOT SCALE DRAWING

REVISION First Issue

SignPost Solutions Ltd

TITLE:

**SPS360 NALSKT CSK
Customer Drawing**

DWG NO.

10112

A4