

# SignPost

SOLUTIONS LTD

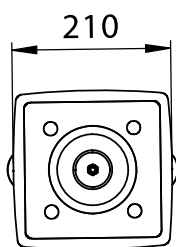
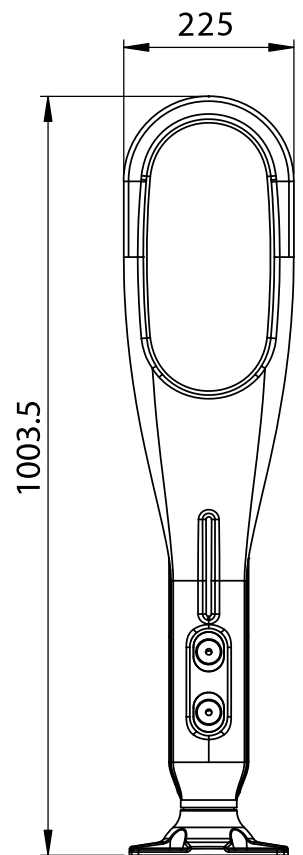
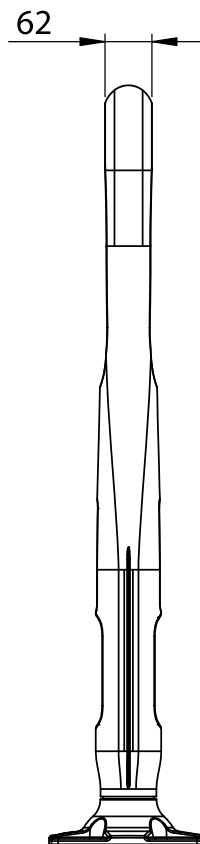
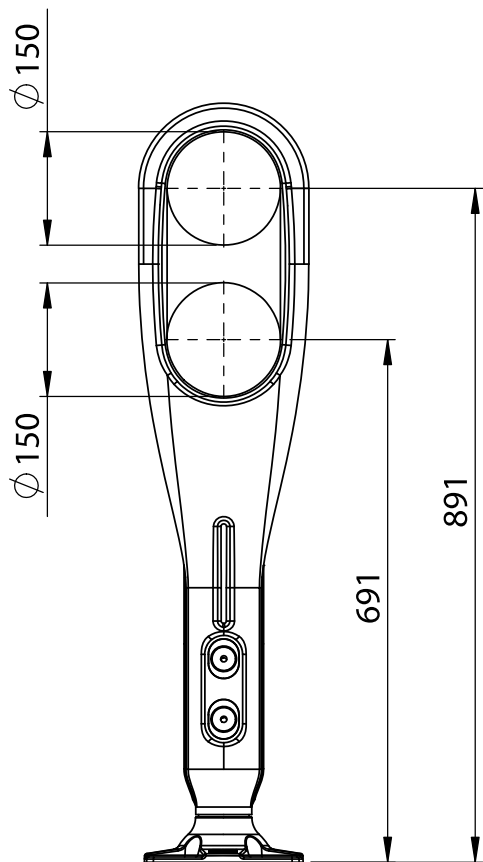
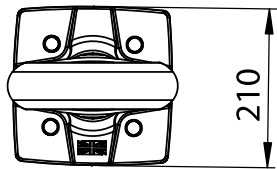
NEW

SPS  
2  
TWENTY



Launched  
at  
**Traffex**  
2015

The **SPS 2Twenty** has been designed around the key elements of the highly successful SPS 3Sixty namely; a synthetic low profile rubber base that delivers unparalleled levels of vandal and impact resistance, no springs or mechanical parts that can lead to premature failures, impact resistant from any direction, recessed graphics, easy to install, easy to clean and 100% recyclable. The 2Twenty is ideal for cycle lanes, car parks, hospitals, airports, train stations, supermarkets, in fact anywhere that needs distinctive and stylish delineation.



FROM **Sign Post**  
SOLUTIONS LTD

t: +44 (0) 121 506 4770  
f: +44 (0) 121 506 4771  
e: [traffic@signfix.co.uk](mailto:traffic@signfix.co.uk)  
[www.signfix.co.uk](http://www.signfix.co.uk)

Unit 5, Clarendon Drive, The Parkway, Tipton DY4 0QA United Kingdom