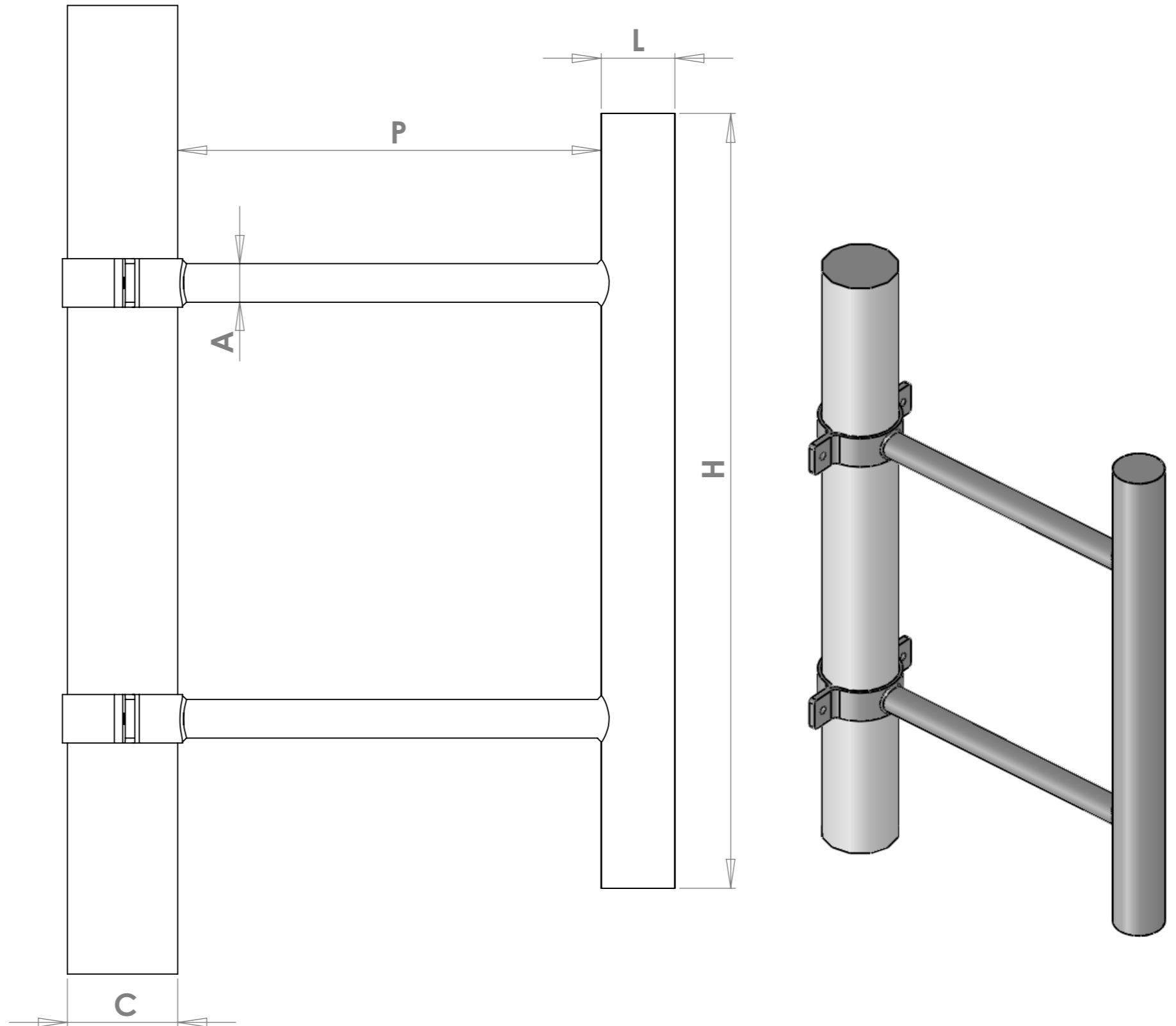


SignPost SOLUTIONS LTD

t: +44 (0) 121 506 4770
 f: +44 (0) 121 506 4771
 e: traffic@signfix.co.uk
 www.signfix.co.uk
 SignPost Solutions Ltd, Unit 5, Clarendon Drive,
 The Parkway, Tipton, DY4 0QA

Off Set Bracket (Clip Mounted) (Issue 1)

DIMENTION	TYPE	VALUE
A	∅ (mm)	
C	∅ (mm)	
H	LENGTH (mm)	
L	∅ (mm)	
P	LENGTH (mm)	



FINISH	TICK
GALV	
PVC	
GALV+PVC	
GALV+PAINT	

CUSTOMER NAME	
CUSTOMER NUMBER	