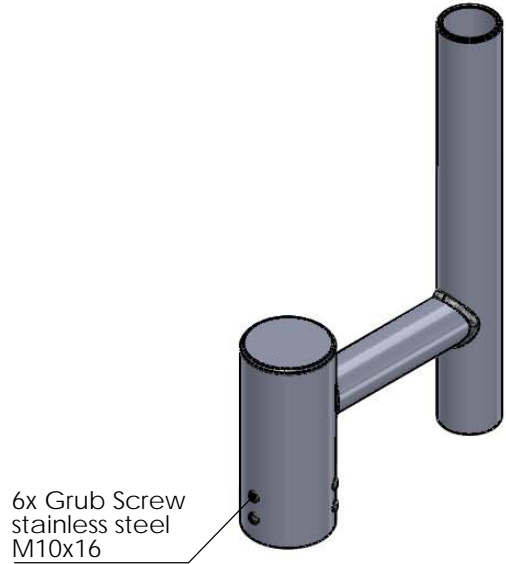


Dimension	Type	Value
A	∅ (mm)	
B	∅ (mm)	
C	∅ (mm)	
E	length (mm)	
F	length (mm)	
G	length (mm)	
H	length (mm)	



Finish	Tick
Galvanized	
PVC Coated	
Galv + PVC	
Galv + Painted	

remove all sharp edges

Customer Name	
Customer Number	
SignPost Solutions do not take responsibility for design or performance of the product. It is up to the purchaser to get structural calculations and necessary checks done.	
UNIT 5 CLARENDON DRIVE THE PARKWAY TIPTON WEST MIDS. DY4 0QA	TEL: +44 (0) 121 506 4770 FAX: +44 (0) 121 506 4771 e-mail: traffic@signfix.co.uk Website: www.signfix.co.uk
MATERIAL:	Mild Steel

DO NOT SCALE DRAWING	REVISION	First Issue
SignPost Solutions Ltd		
TITLE: Off Set Bracket (Post Top Mount)		
DWG NO.	03301	A4
SCALE	SHEET 1 OF 1	