

# Optimast

a new name in dynamic passive safety products from the UK's most experienced provider



Optimast tested and approved to BS EN12767 at MIRA 28.6.12 (Achieved highest result; 100, NE, 3)

FROM SignPost SOLUTIONS LTD

t: +44 (0) 121 506 4770  
f: +44 (0) 121 506 4771  
e: [traffic@signfix.co.uk](mailto:traffic@signfix.co.uk)  
[www.signfix.co.uk](http://www.signfix.co.uk)

Unit 5, Clarendon Drive, The Parkway, Tipton DY4 0QA United Kingdom

## Commercial in Confidence

Test Laboratory	MIRA Ltd
Date of Report	26 <sup>th</sup> September 2012
Client	Signpost Solutions Ltd
Test Item	Optimast 244 Two Leg Signpost
Date of Test	28 <sup>th</sup> June 2012
Test Number	L0057
Report Number	1033700-001 Rev 02
Test Type	Vehicle Impact to EN 12767-2007
Number of Pages	27



Prepared By:

Dave Johnstone  
Senior Engineer

Approved By:

Alistair Crooks  
Head of High Energy Facility

Date 16/10/2012

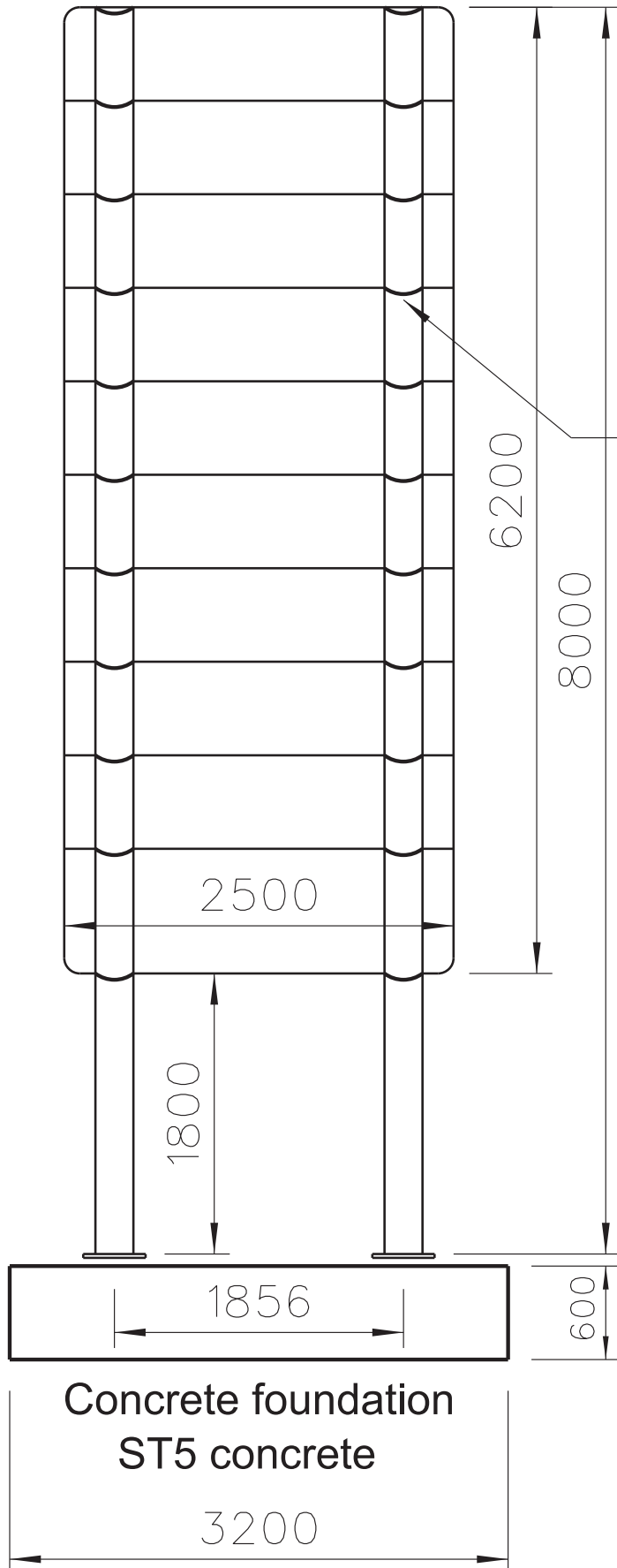
© MIRA Ltd 2012. All rights reserved, subject to client contract. Information contained in this document may not be published in any form of advertising or other matter without prior agreement of the Chief Executive Officer of MIRA.

MIRA Ltd. Registered Office: Watling Street · Nuneaton · Warwickshire · CV10 0TU · England · <http://www.mira.co.uk>  
Tel: +44 (0)24 7635 5000 · Fax: +44 (0)24 7635 8000 Registered in England No 402570 ·  
VAT Registration GB 100 1464 84

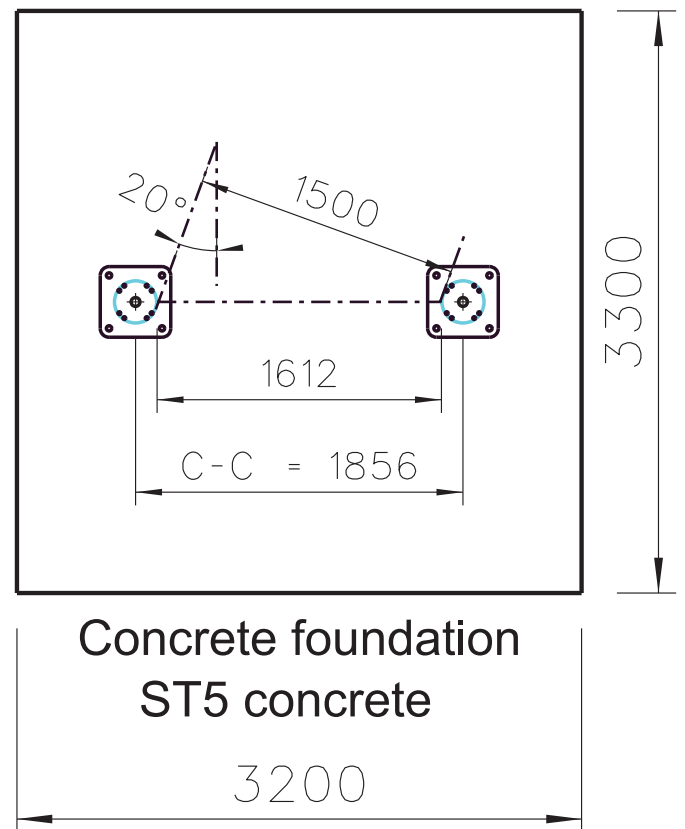
Tests marked "Not UKAS Accredited" in this report are not included in the UKAS Accreditation Schedule for this laboratory. Opinions and interpretations expressed herein are outside the scope of UKAS Accreditation



1105



Fixings:  
HDTB244  
Heavy Duty 2-Bolt 'D' Clip with Insert



David Milne CEng MICE  
8 Cherry Close  
South Wonston  
Winchester  
SO21 3HU

Tel 01962 881777  
12 October 2012

Jim Gallagher  
Highways Agency  
Piccadilly Gate,  
Store Street,  
Manchester,  
M1 2WD

Dear Jim

### **Third Party Review of OPTIMAST 244 crash testing to EN 12767 at MIRA**

Signpost Solutions have developed a new product range of passively safe aluminium sign masts, the OPTIMAST range.

They crash tested the largest mast in the range, the OPTIMAST 244, at MIRA in June. Two OPTIMAST 244's supporting a large sign of area 15.5m<sup>2</sup> were subjected to BSEN 12767 crash tests (at 100 kph and 35 kph).

The MIRA reports ( L0057 and L0058) are attached and they conclude the mast is passively safe to the classification 100 NE 3 in BS EN 12767.

Signpost Solutions asked me to review the test reports for the 100 kph and 35 kph tests and associated photographs and video footage.

My firm view is the tests have been responsibly and professionally executed and reported. The tests fully support the conclusion that the OPTIMAST 244 is passively safe with an EN12767 classification of 100 NE 3. This safety classification is the best available for such a product.

The OPTIMAST 244 is the largest and strongest of a family of masts (with a diameter of 244 mm). Mast diameters and shear bolt numbers are progressively reduced for the smaller members of the family. The same shear bolts are used across the range. I consider the rating of 100NE 3 is applicable to the full OPTIMAST range as the masts form a family of products in accordance with EN 12767 with the largest and strongest member being successfully crash tested.

Please advise if you are content with the 100 NE3 rating to BSEN 12767 for the OPTIMAST 244 in particular and the OPTIMAST range in general.

Warm Regards

David Milne



Enclosures: MIRA REPORTS FOR CRASH TESTS L0057 and L0058 (to include video clips and photographs)



**Third party reviewed & tested  
to prove mast strengths & capacities**



For more information please see our Optimast Method Statement