

SignPost

SOLUTIONS LTD

8m KAPU Passively Safe Lighting Column (70,HE,3)

SignPost Solutions Ltd
Unit 5, Clarendon Drive, The Parkway, Tipton, DY4 0QA
Tel: 0121 506 4770 Fax: 0121 506 4771
Email: traffic@signfix.co.uk
www.signfix.co.uk

SignPost Solutions operate a policy of continuous development & reserve the right to adjust this KAPU information pack without prior notice

Issue 4 APRIL 2014



EC-CERTIFICATE OF CONFORMITY

0416-CPD-3610-05

Decision on certification 2010-02-09

In compliance with the Directive 89/106/EEC of the Council of European Communities of 21 December 1988 on the approximation of laws, regulations and administrative provisions of the Member States relating to the construction products (Construction Products Directive - CPD), amended by the Directive 93/68/EEC of the Council of European Communities of 22 July 1993, it has been stated that the construction product

Lighting columns KAPU

Performance under vehicle impact (passive safety)
High energy absorbing HE column, Annex 1

Installation in pre cast concrete element or cast in-situ foundation or with flange plate.

placed on the market by

Sähkö-Jokinen Oy

Rauhalammintie 13
FI-29600 NOORMARKKU

and produced in the factory Noormarkku, Finland

is submitted by the manufacturer to a factory production control and to the further testing of samples taken at the factory in accordance with a prescribed test plan and that the notified body Inspecta Sertifointi Oy has performed the initial type-testing for the relevant characteristics of the product, the initial inspection of the factory and of the factory production control and performs the continuous surveillance, assessment and approval of the factory production control.

This certificate attests that all provisions concerning the attestation of conformity and the performances described in Annex ZA of the standard

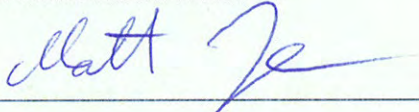
EN 40-5:2002

were applied and that the product fulfils all the prescribed requirements.

This certificate was first issued on **2006-11-03** and remains valid as long as the conditions laid down in the harmonised technical specification in reference or the manufacturing conditions in the factory or the FPC itself are not modified significantly. The validity of the certificate can be checked on the Internet at www.sertifointi.fi.

Espoo 2010-02-09

INSPECTA CERTIFIJOINTI OY



Matti Järvi, Business Manager



SignPost Solutions Ltd

KAPU 8m Passively Safe Lighting Column Datasheet

Ref: EN 40-5:2002, EN 40-3-1:2000, EN 40-3-3:2004, EN 12767:2007 (Performance Class 70,HE,3)

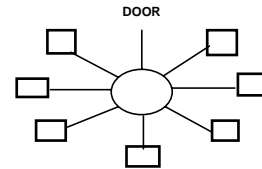
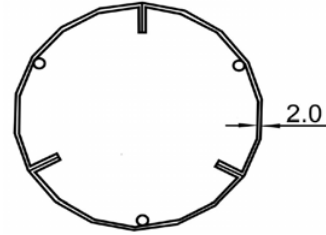
Manufacturer:
Sahko-Jokinen Oy
Rauhalammintie 13, FI-29600
NOORMARKKU FINNLAND

Supplier:
SignPost Solutions Ltd
Unit 5 Clarendon Drive, The Parkway
Tipton, DY4 0QA
Tel: 0121 506 4770
Fax: 0121 506 4771
email: traffic@signfix.co.uk

GENERAL

DIAMETER OF PLANT PART OF COLUMN 167 mm
NOMINAL HEIGHT 8 m
DEFLECTION MAX 10%
COLUMN MATERIAL STEEL DOCOL EN ISO 1461
MATERIAL FINISH GALVANIZED TO EN ISO 1461
MATERIAL DESIGN STRENGTH 280 N/mm²
DOOR OPENING SIZE 400*95 mm
TRAFFIC SIGN ALLOWED FOR IN DESIGN 0.3m squared/offset 0.3/shape square

**CROSS SECTION
BASE COMPARTMENT**



STANDARD FOUNDATION DETAIL

FOUNDATION TYPE POOR SOIL REF BD 94/07
PLANTING DEPTH 1500 mm
SPECIAL INSTRUCTIONS ALLOW FOR CABLE ENTRY

LANTERN AND BRACKET DATA

POST TOP

POST TOP DIAMETER 60mm
LANTERN MAXIMUM WEIGHT 20kg **MAXIMUM**
MAXIMUM WINDAGE AREA OF LANTERN 0.20 m²

SINGLE ARM BRACKET

DIAMETER AT LANTERN FIXING POINT 60mm

BRACKET PROJECTION (M)	WEIGHT	LANTERN MAXIMUM WEIGHT
0.5	11 kg	20 kg
1.0	13 kg	20 kg
1.5	15 kg	20 kg
2.0	18 kg	20 kg

DOUBLE ARM BRACKET

DIAMETER AT LANTERN FIXING POINT 60mm

BRACKET PROJECTION (m)	WEIGHT	LANTERN MAXIMUM WEIGHT
1.0	19 kg	20 kg
1.5	23 kg	20 kg

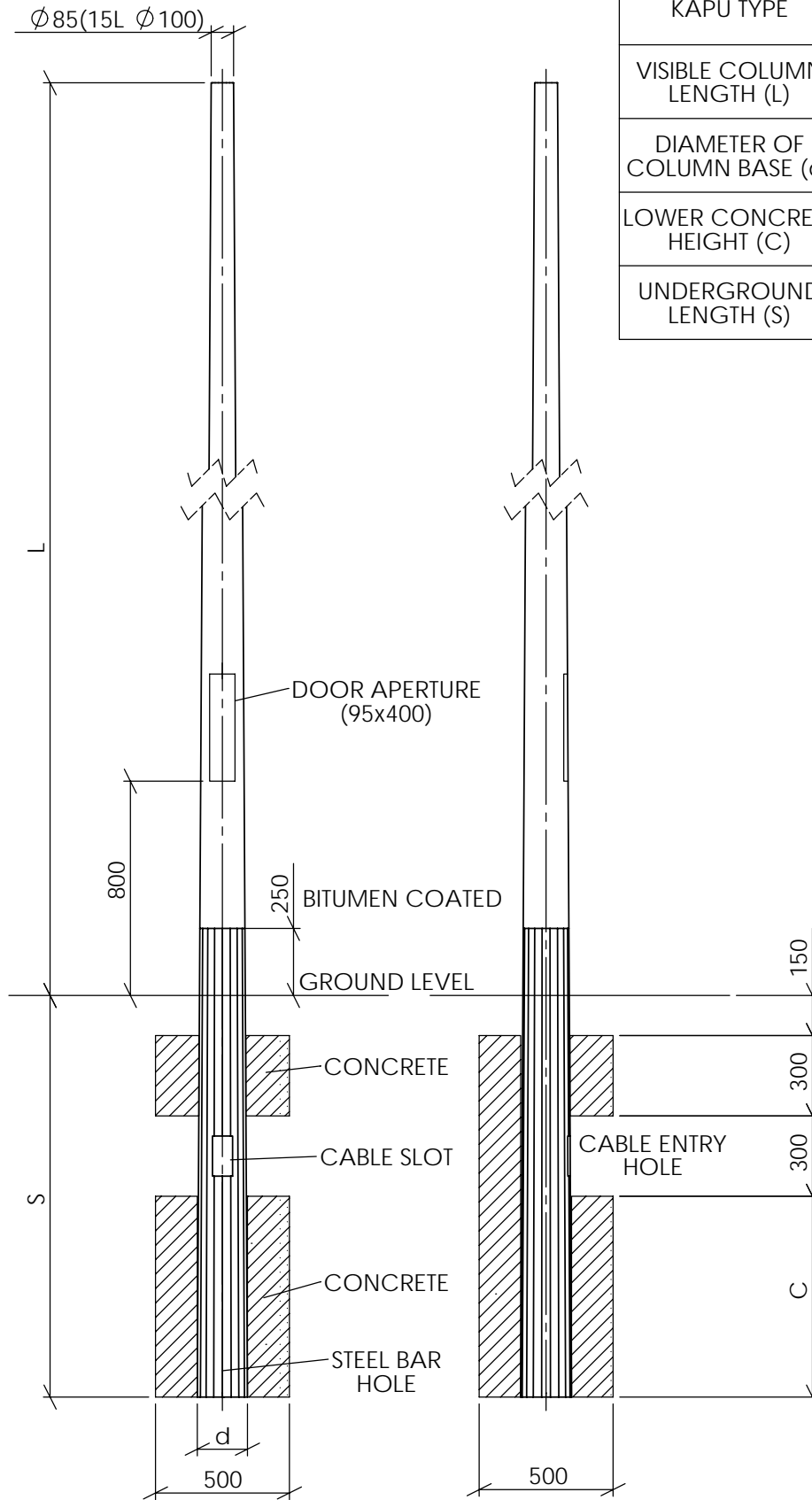
ALL BRACKETS

MATERIAL GRADE S355
DESIGN STRENGTH 355 N/mm²
GALVANIZED TO EN ISO 1461

PLEASE NOTE

LANTERN WEIGHTS AND
BRACKET ARM OUT
REACH TO BE CHECKED
FOR LOCATION AND
TERRAIN CATEGORY

KAPU TYPE	8L	10L	12L	15L
VISIBLE COLUMN LENGTH (L)	6000mm	8000mm	10000mm	10000mm
DIAMETER OF COLUMN BASE (d)	Ø167mm	Ø190mm	Ø218mm	Ø232mm
LOWER CONCRETE HEIGHT (C)	750mm	750mm	1250mm	1250mm
UNDERGROUND LENGTH (S)	1500mm	1500mm	2000mm	2000mm



THIS DRAWING IS COPY/
DESIGN WRITE TO SIGNIFIX.
IT MAY NOT BE COPIED
WITHOUT WRITTEN PERMISSION.

FILLET DENOTATIONS (UNLESS OTHERWISE STATED)
a - 0.25mm RAD, b - 0.5mm RAD, c - 1mm RAD,
d - 2mm RAD, e - 4mm RAD, r - FULL RAD,
v - VEE GROOVE 0.5mm DEEP x 90°,
UNSPEC. CORNERS- 0.25mm RAD

DEBUR AND
BREAK SHARP
EDGES

DO NOT SCALE DRAWING

REVISION

A

SignPost Solutions Ltd

	NAME	SIGNATURE	DATE	ISSUE	REVISION	DATE
DRAWN	MC		29/04/2008	A	DIMENSION 'C' ALTERED FOR 12L & 15L	18/06/08
CHK'D				B		
APPV'D				C		
MFG				D		
Q.A						
UNIT 5 CLARENDON DRIVE THE PARKWAY TIPTON WEST MIDS, DY4 0QA			TEL: +44 (0) 121 506 4770 FAX: +44 (0) 121 506 4771 e-mail: traffic@signfix.co.uk Website: www.signfix.co.uk	MATERIAL:		DWG NO.
			WEIGHT:		SCALE: NTS	

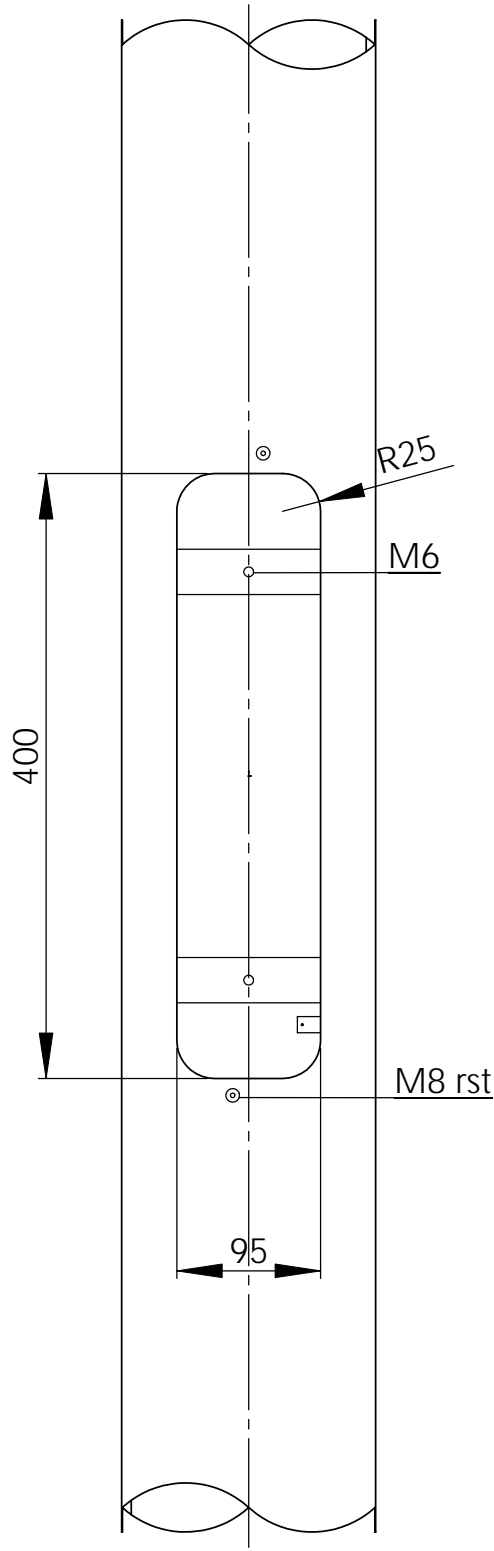
TITLE:

**KAPU CONCRETE
FOUNDATION DETAIL**

2367

A4

SHEET 1 OF 1



THIS DRAWING IS COPY/
DESIGN WRITE TO SIGNFIX.
IT MAY NOT BE COPIED
WITHOUT WRITTEN PERMISSION.

FILLET DENOTATIONS (UNLESS OTHERWISE STATED)
a - 0.25mm RAD, b - 0.5mm RAD, c - 1mm RAD,
d - 2mm RAD, e - 4mm RAD, r - FULL RAD,
v - VEE GROOVE 0.5mm DEEP x 90°,
UNSPEC. CORNERS- 0.25mm RAD

DEBUR AND
BREAK SHARP
EDGES

DO NOT SCALE DRAWING

REVISION

SignPost Solutions Ltd

	NAME	SIGNATURE	DATE	ISSUE	REVISION	DATE
DRAWN	MC		25/04/2008	A		
CHK'D				B		
APPV'D				C		
MFG				D		

TITLE: **KAPU DOOR
APERTURE DIMENSIONS**

UNIT 5
CLARENDON DRIVE
THE PARKWAY
TIPTON
WEST MIDS, DY4 0QA

TEL: +44 (0) 121 506 4770
FAX: +44 (0) 121 506 4771
e-mail: traffic@signfix.co.uk
Website: www.signfix.co.uk

MATERIAL:

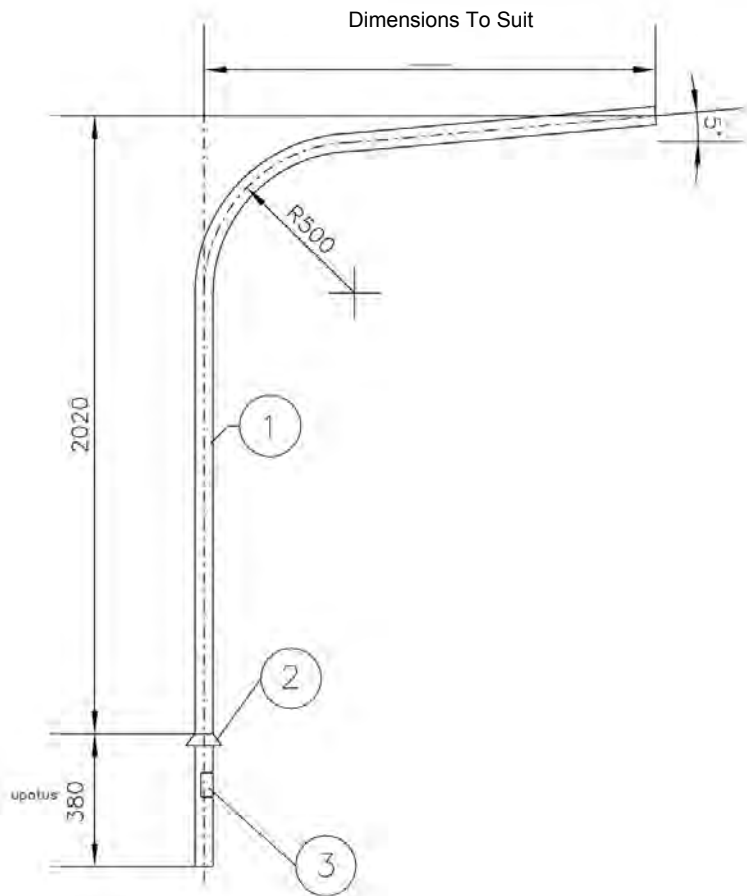
WEIGHT:

DWG NO. **2365**

SCALE: NTS

SHEET 1 OF 1

A4



Bracket type	Projection (V/m)	Weight (kg)
P6010	1,0	13
P6015	1,5	15
P6020	2,0	18
P6025	2,5	20

Finishing: Galvanised to EN ISO 1461

1		Tube 60,30 x 2,90			S355J2H	1
2		Water shield			Combi	1
3		Position slot			S235JR	2

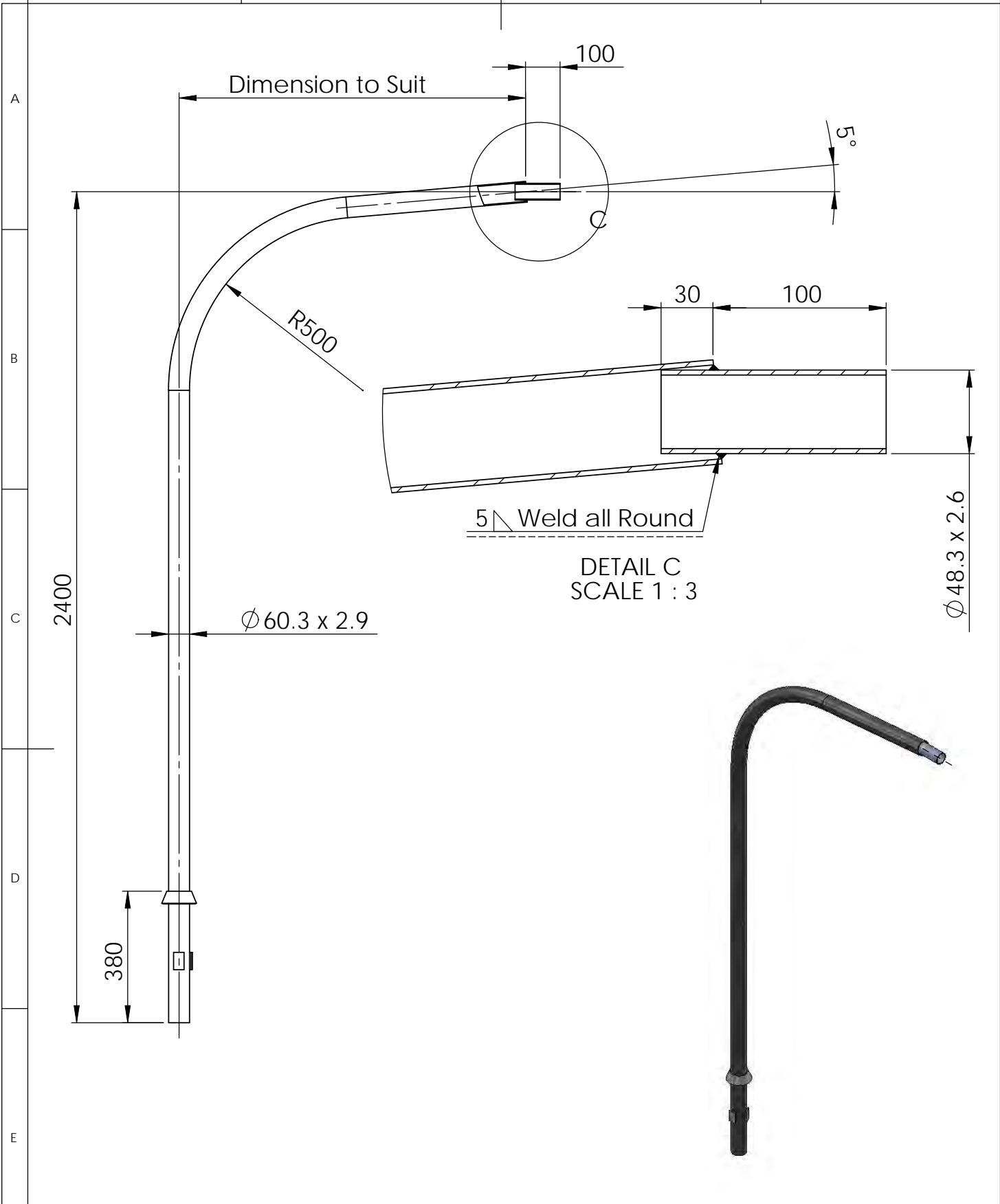
Osa	Piirustusnumero Tavaratunnus	Osan tai kokoonpanoryhmän nimitys	Standardi tai luettelo	Muoto, malli,määrä	Laatu	Kpl
-----	---------------------------------	--------------------------------------	---------------------------	--------------------	-------	-----

Yleistoleranssit	Mittakaava	Tuote	Liittyy	Copyright This Drawing is the property of Sähkö-Jokinen Oy Company and must not be used or reproduced without Sähkö-Jokinen's written consent Copyright (c) Design right (dr) 1991		
	1:20	Single bracket for KAPU Lighting column				

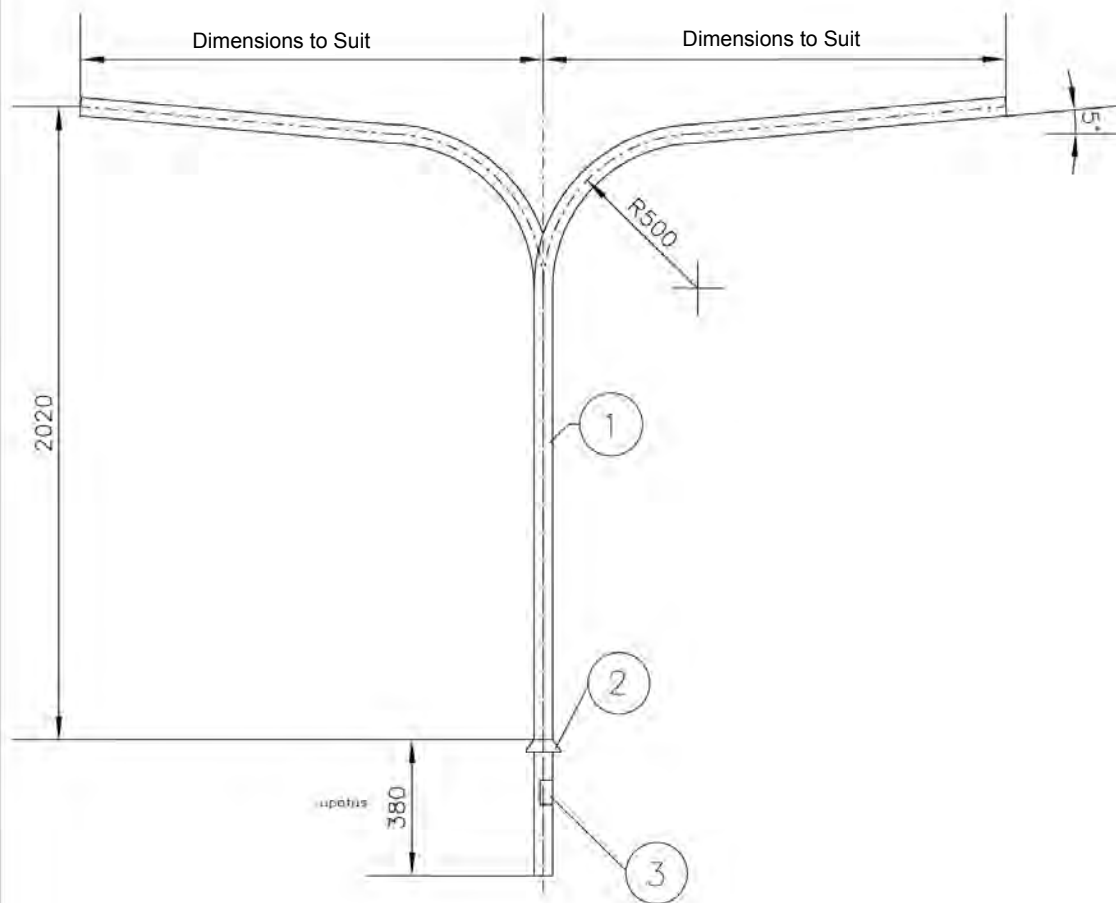
Piirt.	V.-V. Toiskala (11.06.2007)		 Sähkö-Jokinen Oy Noormarkku, Finland.	Ent.	Uusi
Suunn.	T. Lehti (14.03.2007)			12.2007	
Tark.		Massa			
Hyv.		kg			

SignPost SOLUTIONS LTD

UNIT 5, CLARENDON DRIVE
THE PARKWAY
TIPTON
DY4 0QA
TEL 0121-506-4770
FAX 0121-506-4771
E.MAIL traffic@signfix.co.uk



UNLESS OTHERWISE SPECIFIED: DIMENSIONS ARE IN MILLIMETERS SURFACE FINISH: TOLERANCES: LINEAR: ANGULAR:		FINISH:		DEBURR AND BREAK SHARP EDGES		DO NOT SCALE DRAWING		REVISION First Issue	
						Signpost Solutions Ltd			
						8-10-12m Outreach Bracket 0 Degree Tilt Reduced End			
DRAWN Rob Kingscott		SIGNATURE		DATE 08/01/2014		TITLE:			
CHK'D						DWG NO. 12101		A4	
APPV'D M Grice						SCALE: 1:20		SHEET 1 OF 1	
MFG D Wale				Welds to BS EN 1011					
Q.A P Allen				MATERIAL:					
				WEIGHT:					



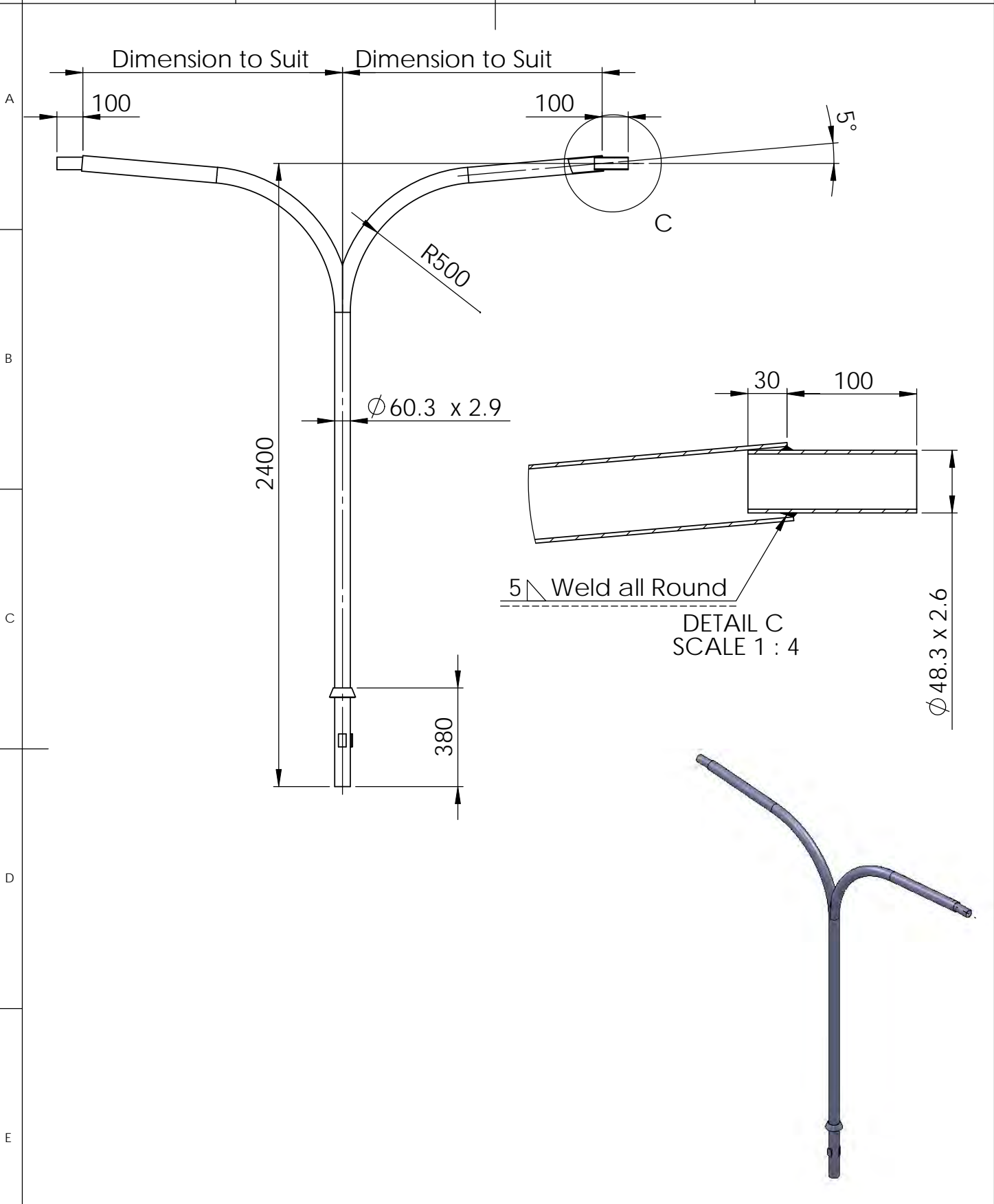
Bracket type	Projection (V/m)	Weight (kg)
T6010	1,0	19
T6015	1,5	23
T6020	2,0	29
T6025	2,5	33

Finishing: Galvanised to EN ISO 1461

1		Tube 60,30 x 2,90			S355J2H	1
2		Water shield			Combi	1
3		Position slot			S235JR	2
Osa	Piirustusnumero Tavaratunnus	Osan tai kokoonpanoryhmän nimitys	Standardi tai luettelo	Muoto, malli,määrä	Laatu	Kpl
Yleistoleranssit		Mittakaava 1:20	Tuote Double bracket for KAPU Lighting column	Litty	Copyright This Drawing is the property of Sähkö-Jokinen Oy Company and must not be used or reproduced without Sähkö-Jokinen's written consent Copyright (c) Design right (dr) 1991	
Piirt.	V.-V. Tarkko (11.06.2007)			Sähkö-Jokinen Oy Noormarkku, Finland	Ent.	Uusi
Suunn.	T. Leht (14.03.2007)	Massa kg			13.2007	
Tark.						
Hyv.						

SignPost SOLUTIONS LTD

UNIT 5, CLARENDON DRIVE
THE PARKWAY
TIPTON
DY4 0QA
TEL 0121-506-4770
FAX 0121-506-4771
E.MAIL traffic@signfix.co.uk



UNLESS OTHERWISE SPECIFIED:
 DIMENSIONS ARE IN MILLIMETERS
 SURFACE FINISH:
 TOLERANCES:
 LINEAR:
 ANGULAR:

FINISH:

 DEBURR AND
 BREAK SHARP
 EDGES

DO NOT SCALE DRAWING REVISION First Issue

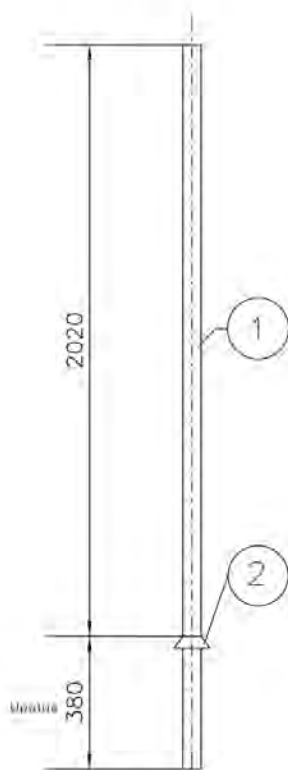
Signpost Solutions Ltd

	NAME	SIGNATURE	DATE		
DRAWN	Rob Kingscott		08/01/2014		
CHK'D					
APPV'D	M Grice				
MFG	D Wale				
Q.A	P Allen				
				MATERIAL:	
				WEIGHT:	

TITLE:
**8/10/12m Double Outreach Bracket
 0 Degree Tilt**

DWG NO. **12105** A4

SCALE: 1:20 SHEET 1 OF 1



Finishing: Galvanised to EN ISO 1461

Osa	Piirustusnumero Tavaratunnus	Osan tai kokoonpanoryhmän nimitys	Standardi tai luettelo	Muoto, malli,määrä	Laatu	Kpl
1		Tube 60,30 x 2,90		10,9 kg	S355J2H	1
2		Water shield		0,3 kg	Combi	1
Yleistoleranssit		Mittakaava 1:20	Tuote S60 Straight bracket for KAPU Lighting column	Liitty	Copyright This Drawing is the property of Sähkö-Jokinen Oy Company and must not be used or reproduced without Sähkö-Jokinen's written consent. Copyright (c) Design right (dr) 1991	
Piirt.	V.-V. Torkka (11.06.2007)		 Sähkö-Jokinen Oy Noormarkku, Finland	Ent.	Uusi	
Suunn.	T. Lehti (13.03.2007)	Massa		11.2007		
Tark.		kg				
Hyv.						

SignPost
SOLUTIONS LTD

UNIT 5, CLARENDON DRIVE
THE PARKWAY
TIPTON
DY4 0QA
TEL 0121-506-4770
FAX 0121-506-4771
E.MAIL traffic@signfix.co.uk